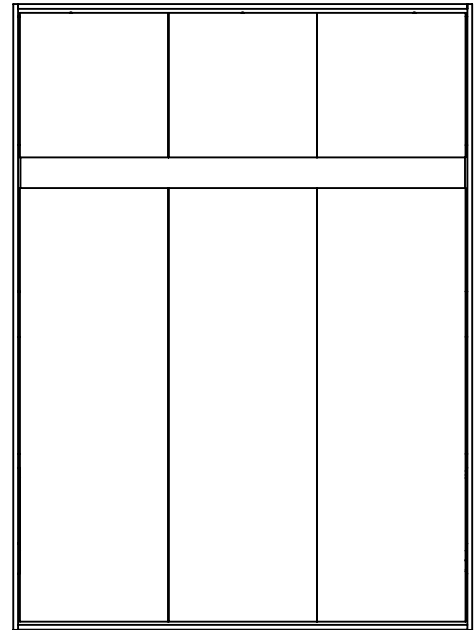
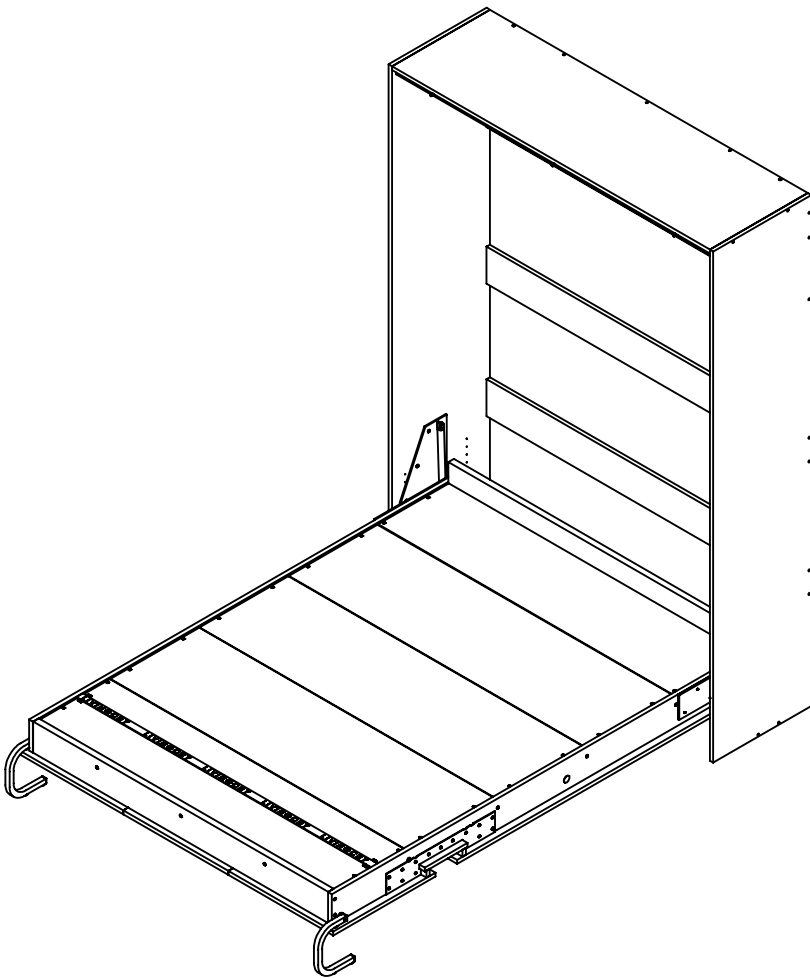




Livingchy™
WORLD

Soft Opening Life Style

Assembly instructions



WARNING

If the bed is not properly secured to the wall, it may suddenly tip over, resulting in serious injury or death. Please read this manual carefully before beginning to assemble the bed.

Read carefully before starting the installation. Keep this manual.



WARNING

If the bed is not properly secured to the wall, it may suddenly tip over and cause serious injury or death.

- For wood or masonry wall structures, a qualified person must secure the bed to the wall.
- For all other types of walls, a construction professional must secure the bed to the wall in accordance with the codes and regulations of the province, state or country where the bed is installed.
- The fixing screw must be suitable for the wall composition material where the bed will be fixed.
- The floor and wall structure entirety must be checked before installation.
- Do not open or use the bed if the cabinet moves when opened or if there are any other signs that the screws are loose or detached or if the part to which the screws are attached to the wall is damaged or cracked.
- Never remove the wall fixing screws without first removing the bed base and the pistons.
- A qualified person must have the knowledge and tools to locate the wall studs and identify the type of wall structure (wood, metal, masonry or other) and properly install the screws into the wall structure. Skills and tools required include an electronic stud finder, drill and bits, screwdriver, hammer, level, tape measure and the ability to use these tools correctly.

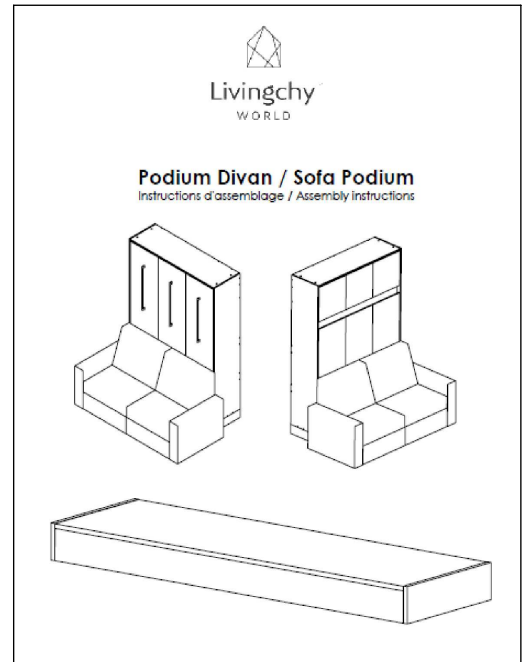
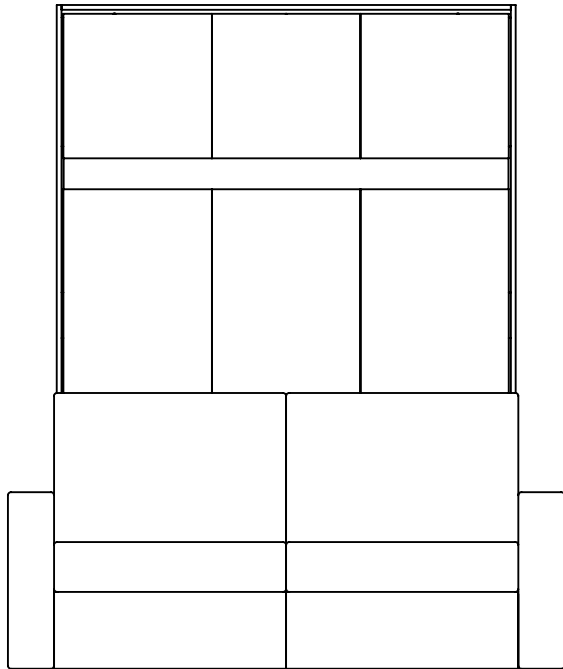
SPECIFICATIONS

- Maximum weight supported by the bed base: 1000 lbs
- Mattress weight: 45 lbs
- Mattress thickness: 10 in
- Minimum ceiling height: 91 in
- Minimum holding force required for each fixation: 100 lbs
- Do not use with folding mattress.



WARNING

If you purchased a bed with a sofa, please assemble the podium before starting the assembly of the Murphy bed.

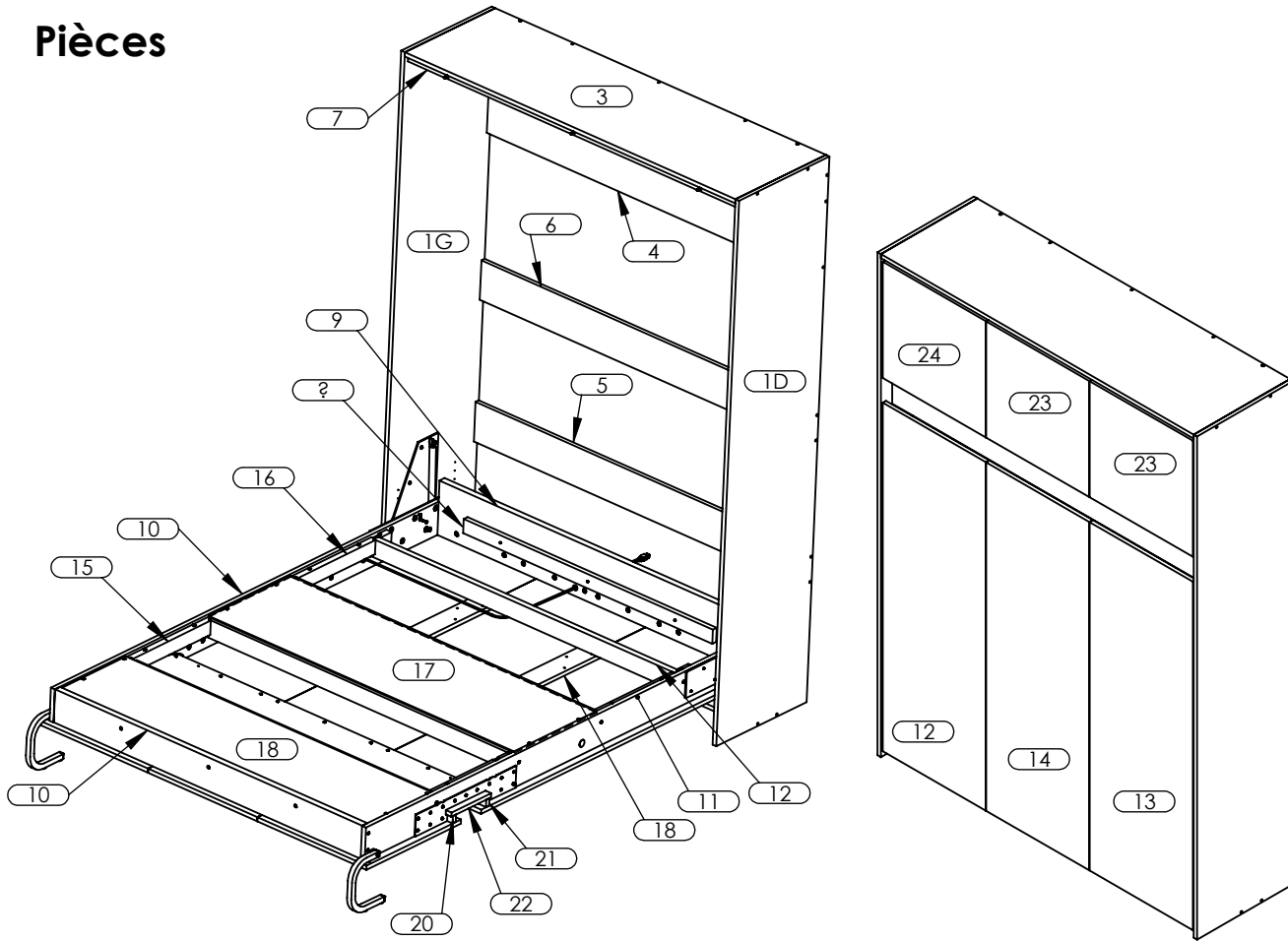


INTERACTIVE GUIDE

*Please open and follow this interactive guide **in addition to this assembly manual** for an installation efficient and safe. Scan this QR code to access the interactive guide.*

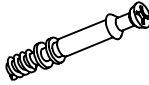




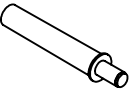


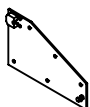
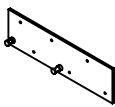
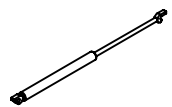

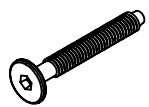
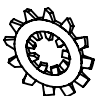
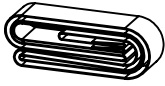
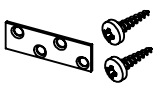
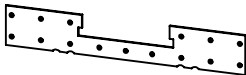
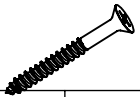
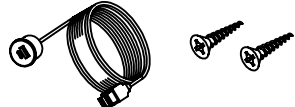


Pièces

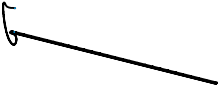


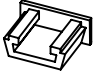
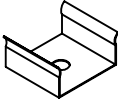
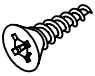
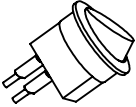
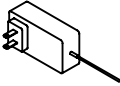


No.	PART	DESCRIPTION	QTY
1	100279-2G		1
2	CA-CO-XX18	Cabinet side L/R	1
3	CA-DED-XX18	Dessus de cabinet	1
4	CA-TRH-XX	Top rail	1
5	CA-TRB-XX	Lower rail	2
6	CA-TRC-XX	Centre rail	1
7	CA-AP-XX	Door stopper	1
8	MA-SC-T130	Support	2
9	MA-TED-XX	Headboard	1
10	MA-PID-XX	Bed foot	1
11	MA-CODWU-XX	Bed side L/R	1
12	MA-ST-XX	Cross support	4
13	PO-COV3DW-BE	Lower exterior door	1
14	PO-COV3DW-BC	Lower center door	1
15	MA-SLP	Long support	2
16	MA-SLC	Notched long support	2
17	HDF-XXVHL-5	Large HDF	3
18	HDF-XXVHE-5	Narrow HDF	2
19	MA-SPO-2	Door support	2
20	MA-PWH-XX	Top part of handle	1
21	MA-PWB-XX	Lower part of handle	1
22	MA-PWF-XX	Bottom part of handle	1
23	PO-COV3DW-HC	High center door	1
24	PO-COV3DW-HE	High exterior door	1

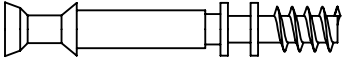
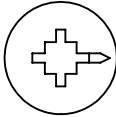



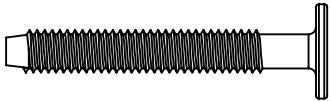
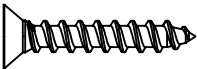
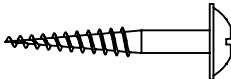
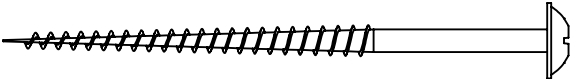
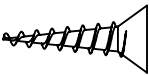
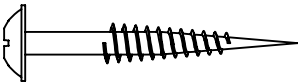
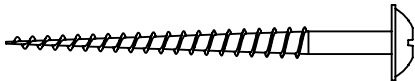
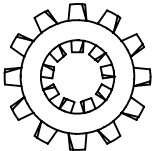


Hardware checklist

PART	QTY	PART	QTY	PART	QTY
					
CAM-B-10	44	CAM-D-10X35MM	44	GOU-B-516X118	20
					
VIS-C-2	41	BOU-H-M6X25MM	12	PAT-CLOU	4
					
VIS-P-10X34-NOI	46	VIS-W-8X118	20	VIS-P-8X1	20
					
AMO-BUM	3	VIS-W-8X112	10	CAV-NOI	2
					
CAV-XXX	22	CAT-NOI	15	FEUTRE	6
					
100279-2/100279-2G	1G/1D	100279-1/100279-1G	1G/1D	PIS-PXX	2
					
PAT-RF-T	1	PAT-RF-U	2	VIS-A-14x138	2
					
WAS-LONK-14	2	VIS-C-70mm	8	ELASTIC	1
					
FIXATION	2	Reinforcement Plate	2	VIS-W-8X2	18
					
VIS-P-8X112	4	VIS-W-8X3	8		

Hardware checklist

PART	QTY	PART	QTY	PART	QTY
					
LED Band + wire	1	Extrusion	1	Lens	1
					
Cap	1	Clip	3	VIS-P-5X12	3
					
Switch	1	Power supply	1		

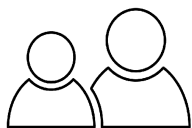
Full-size hardware

 <p>CAM-D-10X35MM SOCKET</p>	 <p>CAM-B-10 CAM</p>	 <p>VIS-C-2 2" ASSEMBLY SCREW</p>
 <p>VIS-P-8X112 FLATHEAD SCREW #8 X 1 1/2"</p>	 <p>BOU-H-M6X25MM BOLT M6X25MM</p>	 <p>VIS-A-14X138 SOCKET HEAD CAP SCREW 1/4X1 1/2"</p>
 <p>VIS-P-8X1 FLATHEAD SCREW #8X1"</p>	 <p>VIS-W-8X1 WASHER HEAD SCREW #8X1"</p>	 <p>VIS-W-8X3 WASHER HEAD SCREW #8X3"</p>
 <p>VIS-P-10X34-NOI BLACK FLATHEAD SCREW #10 X 3/4"</p>	 <p>VIS-W-8X112 WASHER HEAD SCREW #8X1 1/2"</p>	 <p>VIS-W-8X2 WASHER HEAD SCREW #8X2"</p>
 <p>WAS-LOCK-14 LOCKING WASHER 1/4"</p>	 <p>GOU-B-516X118 WOOD DOWEL 5/16" X 1 1/8"</p>	 <p>VIS-C-70mm 70mm ASSEMBLY SCREW</p>

Special remarks

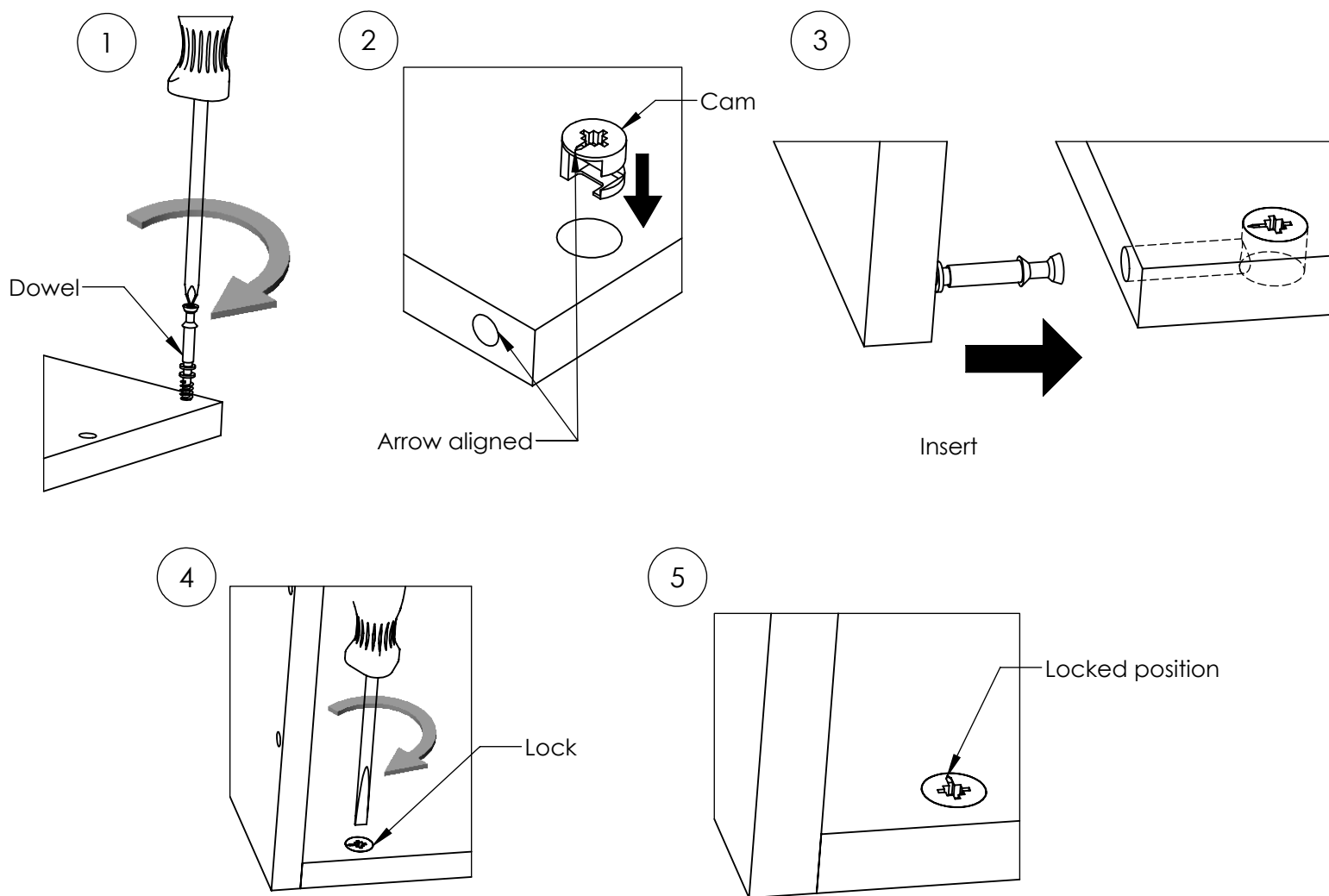
Required tools

- Hammer
- Level
- Robertson screwdriver #1, 2, 3 and flathead
- Wrench 10 mm
- Tape measure
- Drill

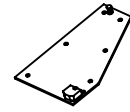
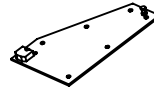


Two people are required to assemble this bed.

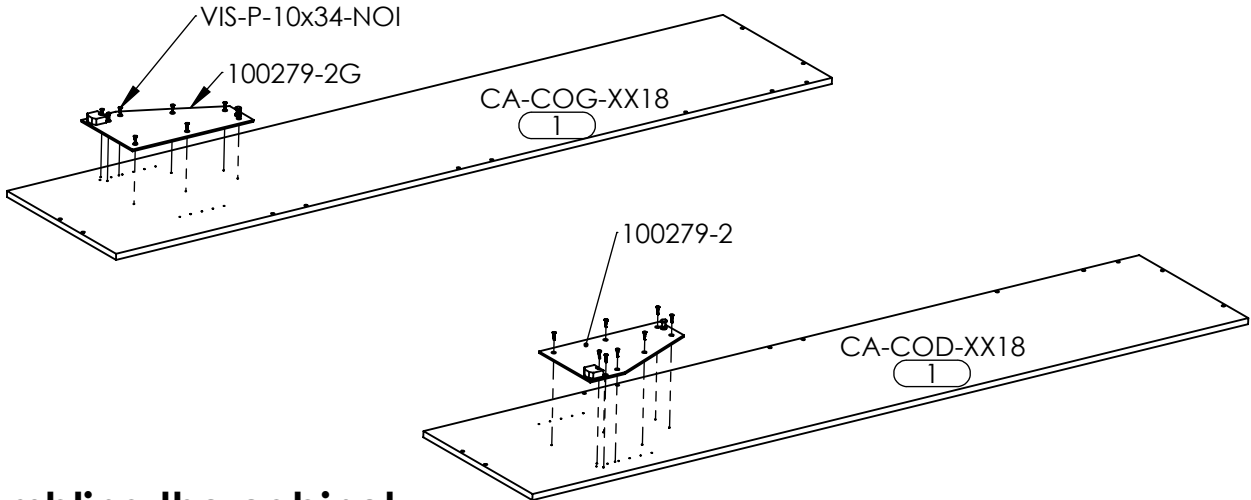
Cam and dowel assembly



1- Assembling the cabinet



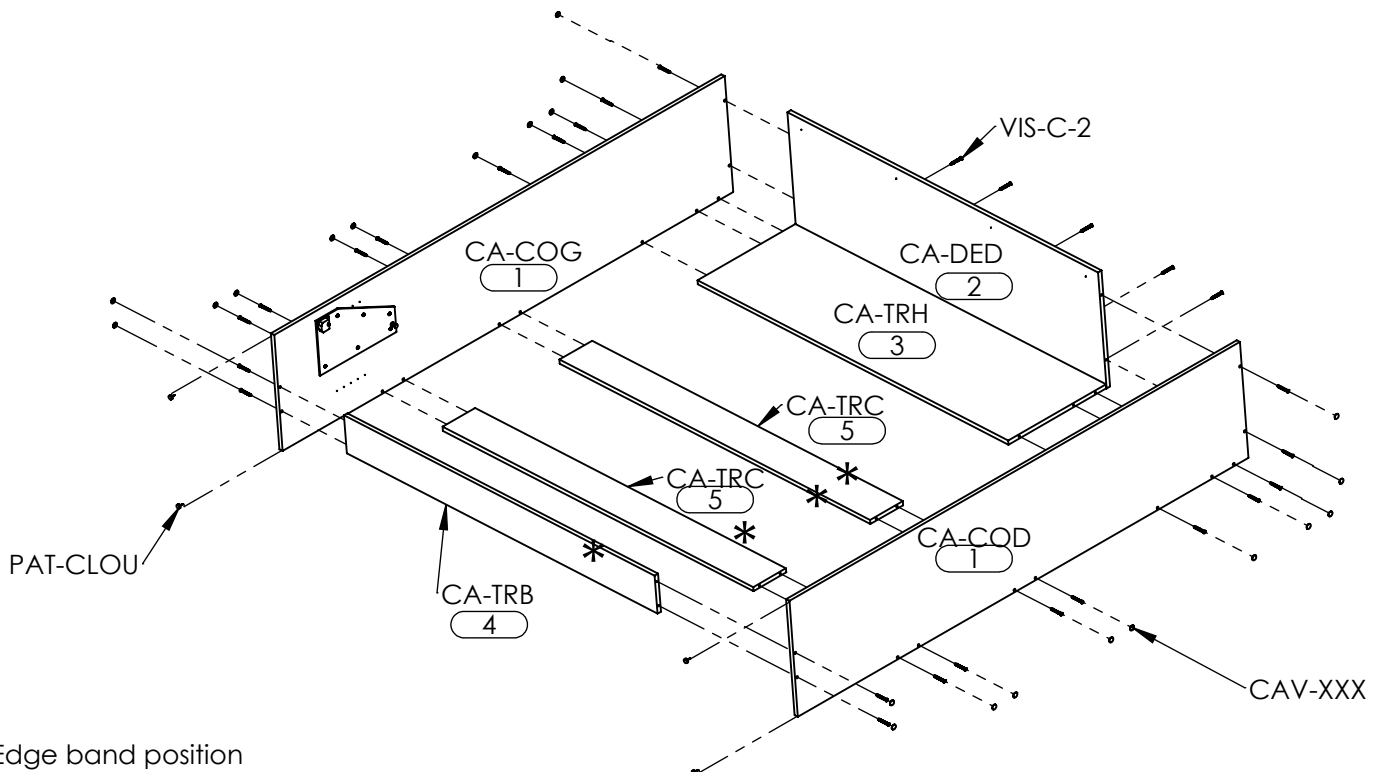
PART	VIS-P-10x34-NOI	100279-2G	100279-2
QTY	16	1	1



2- Assembling the cabinet

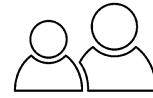
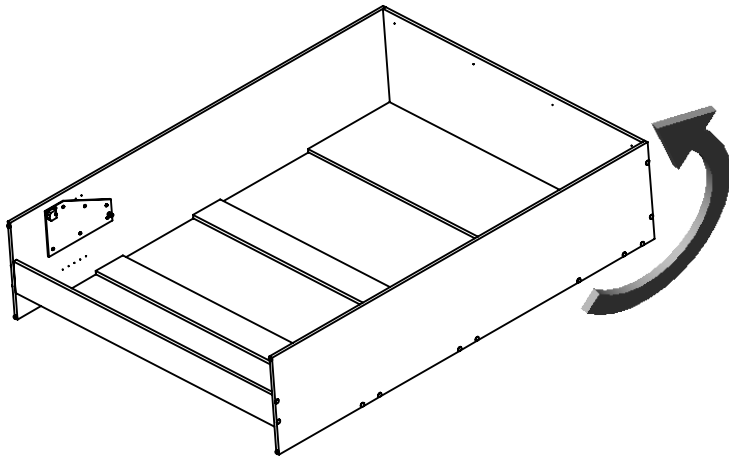


PART	VIS-C-2	CAV-XXX	PAT-CLOU
QTY	27	22	4

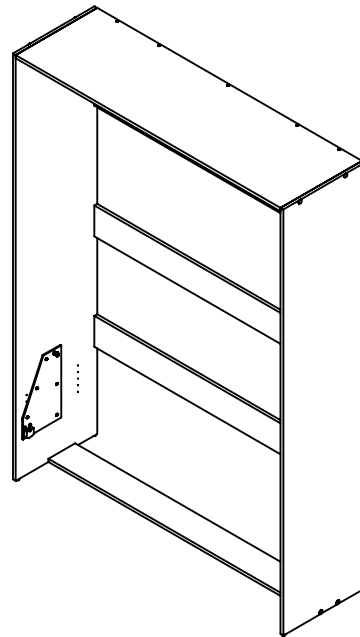


* Edge band position

3- Assembling the cabinet

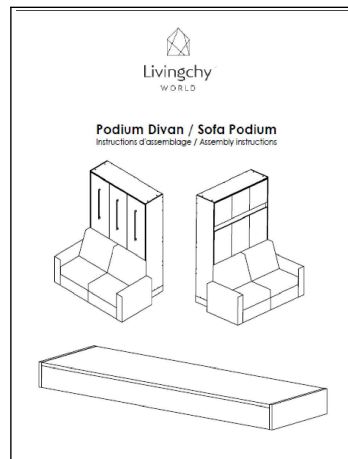
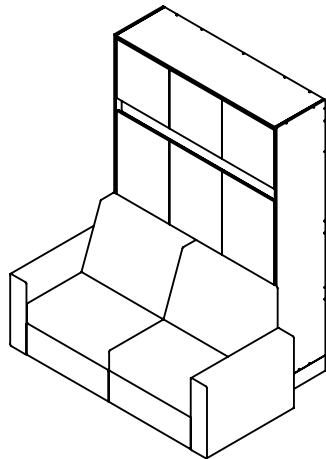


2 people required



WARNING

If you have purchased a bed with sofa please refer to the assembly instructions of the podium before continuing with the installation.



Assembly instructions of the podium

ANCHOR SELECTION AND FIXING INSTRUCTIONS

Read carefully before starting the installation. Keep this manual.



WARNING

If the bed is not properly secured to the wall, it may suddenly tip over and cause serious injury or death.

- For wood or masonry wall structures, a qualified person must secure the bed to the wall.
- For all other types of walls, a construction professional must secure the bed to the wall in accordance with the codes and regulations of the province, state or country where the bed is installed.
- The fixing screw must be suitable for the wall composition material where the bed will be fixed.
- The floor and wall structure entirety must be checked before installation.
- Do not open or use the bed if the cabinet moves when opened or if there are any other signs that the screws are loose or detached or if the part to which the screws are attached to the wall is damaged or cracked.
- Never remove the wall fixing screws without first removing the bed base and the pistons.
- A qualified person must have the knowledge and tools to locate the wall studs and identify the type of wall structure (wood, metal, masonry or other) and properly install the screws into the wall structure. Skills and tools required include an electronic stud finder, drill and bits, screwdriver, hammer, level, tape measure and the ability to use these tools correctly.



WARNING

WARNING If the bed is not properly secured to the wall, it may suddenly tip over and cause serious injury or death.



- NEVER use drywall plugs or cavity wall anchors
- NEVER attach the wall bed directly to drywall, gypsum board, or any other wall panel.
- ALWAYS attach the wall bed to wood, metal or masonry wall structure.
- ALWAYS use the 8 mounting screws.



Selection of anchors according to the composition of the wall

The type of anchor depends on the composition of the wall. Follow the steps below to determine the composition of the wall if it is unknown:

1. Using an electronic stud finder, determine the center of the studs at the future location of the bed.
2. Drill a 3mm pilot hole in the center of a wall stud to determine the composition of the wall structure. Drill the hole so that it is hidden by the bed rail.

Composition du mur	Ancrage	Ancrage	Procédures
Wood	Wood screw #8x3" VIS-W-8X3		See fixing procedure for wood studs
Concrete	Concrete screw Ø3/16"		See fixing procedure for masonry structures



WARNING

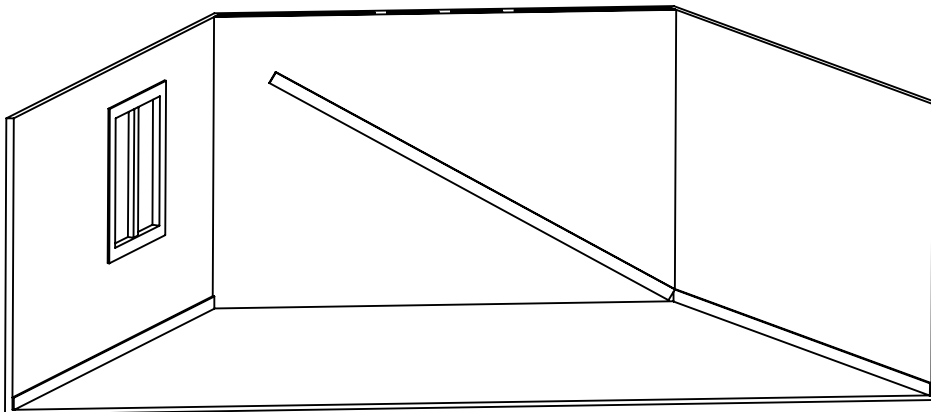
If the bed is not properly secured to the wall, it may suddenly tip over and cause serious injury or death.

- For wood or masonry wall structures, a qualified person must secure the bed to the wall.
- For all other types of walls, a construction professional must secure the bed to the wall in accordance with the codes and regulations of the province, state or country where the bed is installed.
- The fixing screw must be suitable for the wall composition material where the bed will be fixed.
- The floor and wall structure entirety must be checked before installation.
- Do not open or use the bed if the cabinet moves when opened or if there are any other signs that the screws are loose or detached or if the part to which the screws are attached to the wall is damaged or cracked.
- Never remove the wall fixing screws without first removing the bed base and the pistons.
- A qualified person must have the knowledge and tools to locate the wall studs and identify the type of wall structure (wood, metal, masonry or other) and properly install the screws into the wall structure. Skills and tools required include an electronic stud finder, drill and bits, screwdriver, hammer, level, tape measure and the ability to use these tools correctly.



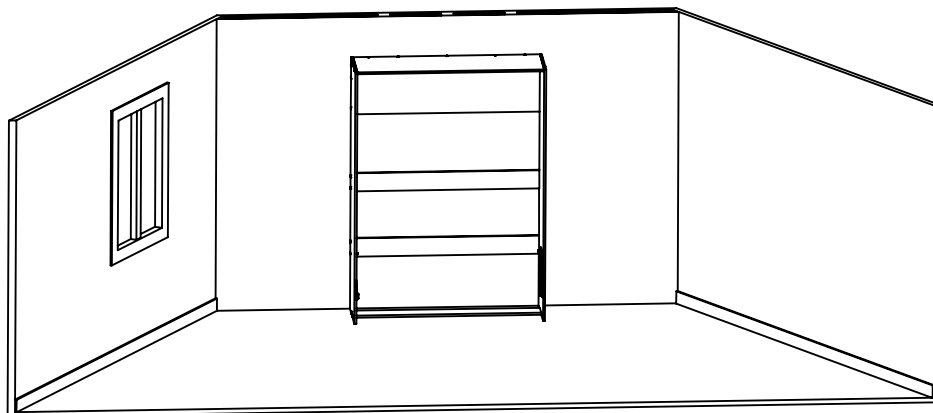
4-Installing cabinet on wall

4a- Remove the moulding from the wall where the bed will be installed.

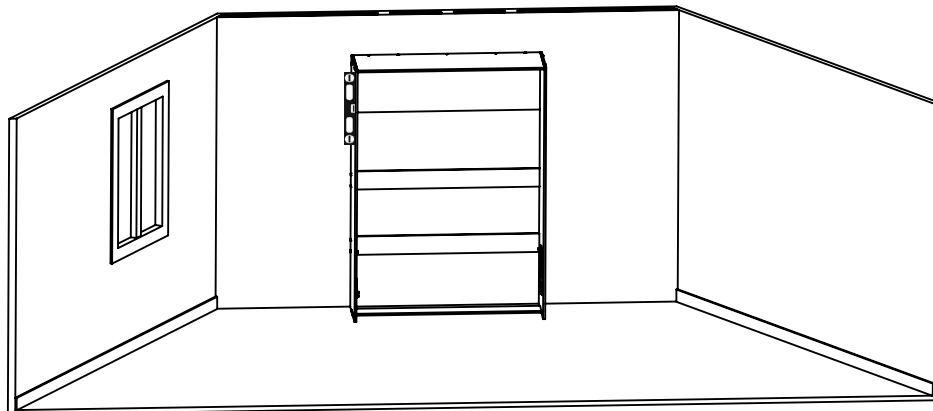


4b- Place the bed at the desired location.

*Note that the bed includes two USB outlets, so a nearby power outlet will be necessary. If the power outlet is not behind the bed, a 5/8" to 3/4" diameter hole can be drilled in the side of the cabinet for the passage of the wire if required.



4c- Place the level on the cabinet and correct the vertical and horizontal as needed. Ensure that the cabinet is level in both directions otherwise the closure of the bed will be compromised.



5- Fixing recommendations

** For this step, refer to the procedure corresponding to the composition of the wall on which the bed will be fixed.*

Wood studs

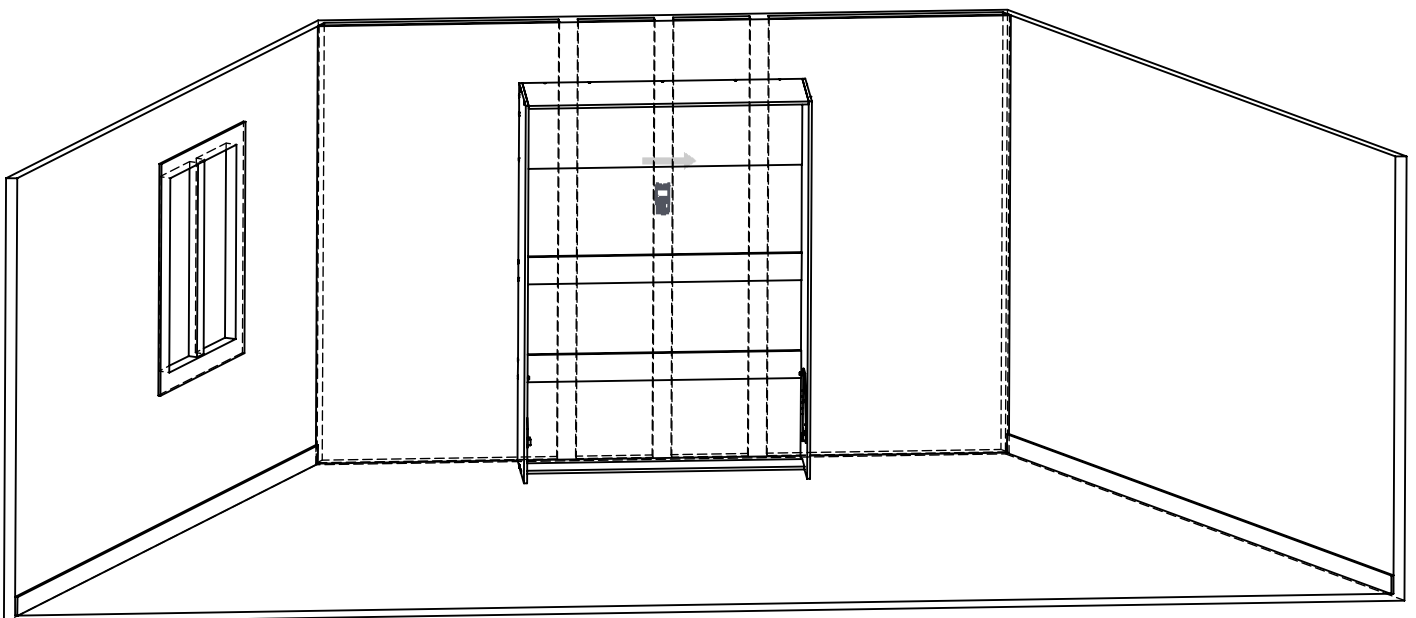


HARDWARE	VIS-W-8X3
QTY	6



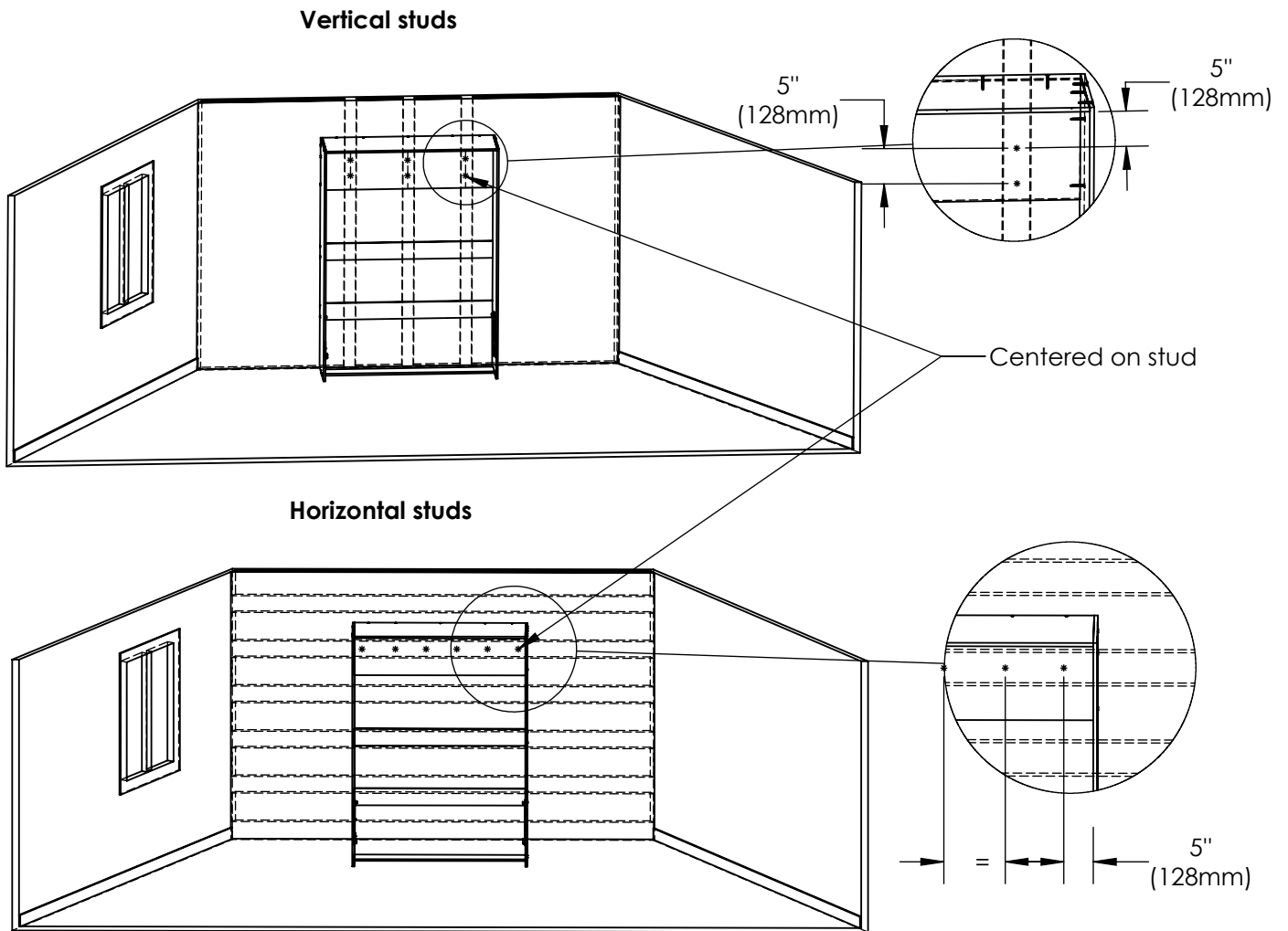
REQUIRED TOOLS	DRILL	STUD FINDER
----------------	-------	-------------

5a (Wood) - Using the stud finder, locate and mark the studs. The studs can be horizontal or vertical.

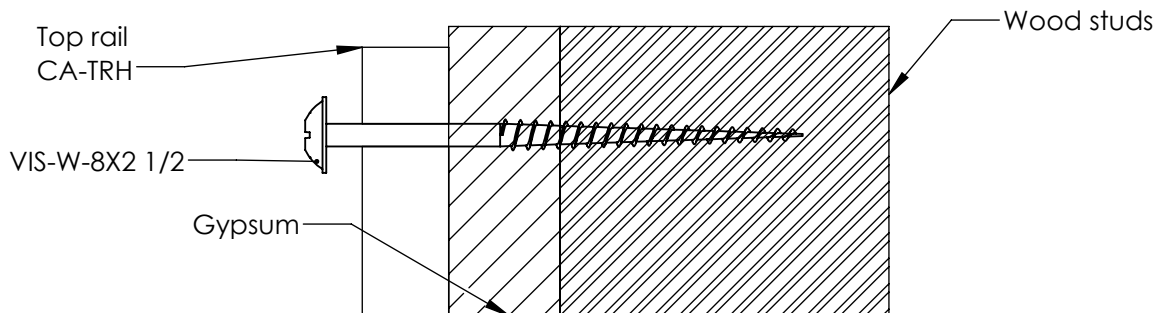


Wood studs

5b (Wood) - Mark the location of the screws in the **center** of the studs according to the location below.



5c (Wood) - Screw the 6 screws in the center of the studs according to the location determined in the previous step until they reach the wall. The screw must be a minimum of 1 1/4" deep in the wood stud. Use an adjustable tension drill to avoid overdriving. **Never use a hammer drill. Overdriving the crosspiece to the wall may damage the part and compromise its structural integrity. Breaking the crosspiece can cause the bed to suddenly tip over, resulting in serious injury or death.**



5- Fixing recommendations

Masonry and concrete

**Depending on the composition and type of wall, your professional installer will need to validate and select more appropriate fixings if required.*



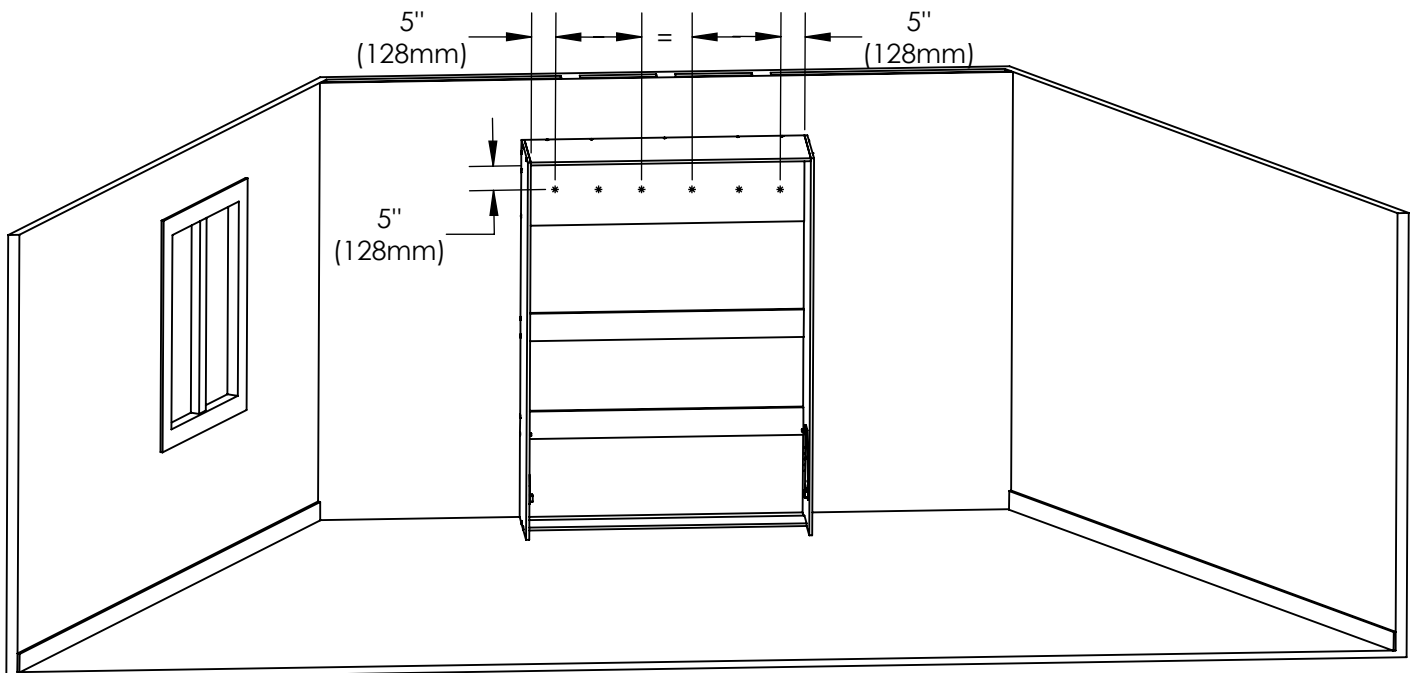
NOT included

HARDWARE	Concrete screw $\phi 3/16"$ x suitable length
----------	---



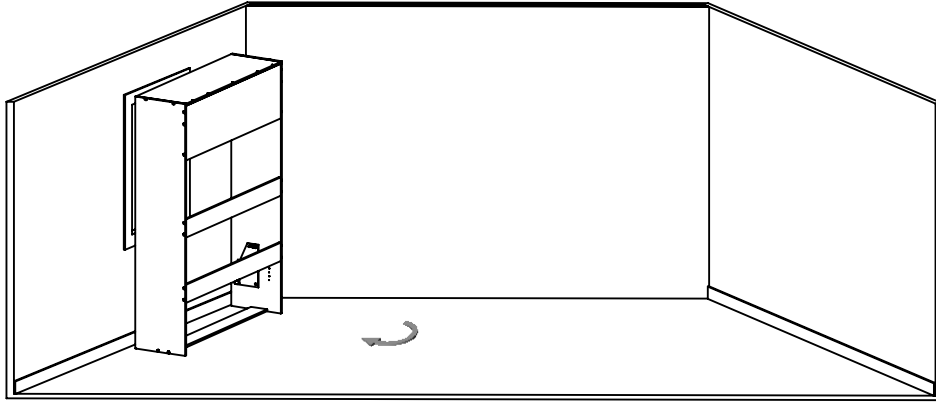
REQUIRED TOOLS	Drill	Concrete bit $\phi 5/32"$	Wood bit $\phi 1/8"$
----------------	-------	---------------------------	----------------------

5a (Masonry) - Using the drill and wood bit, drill the 6 pre-holes on the CA-TRH top crosspiece. Mark the location of the holes on the masonry.



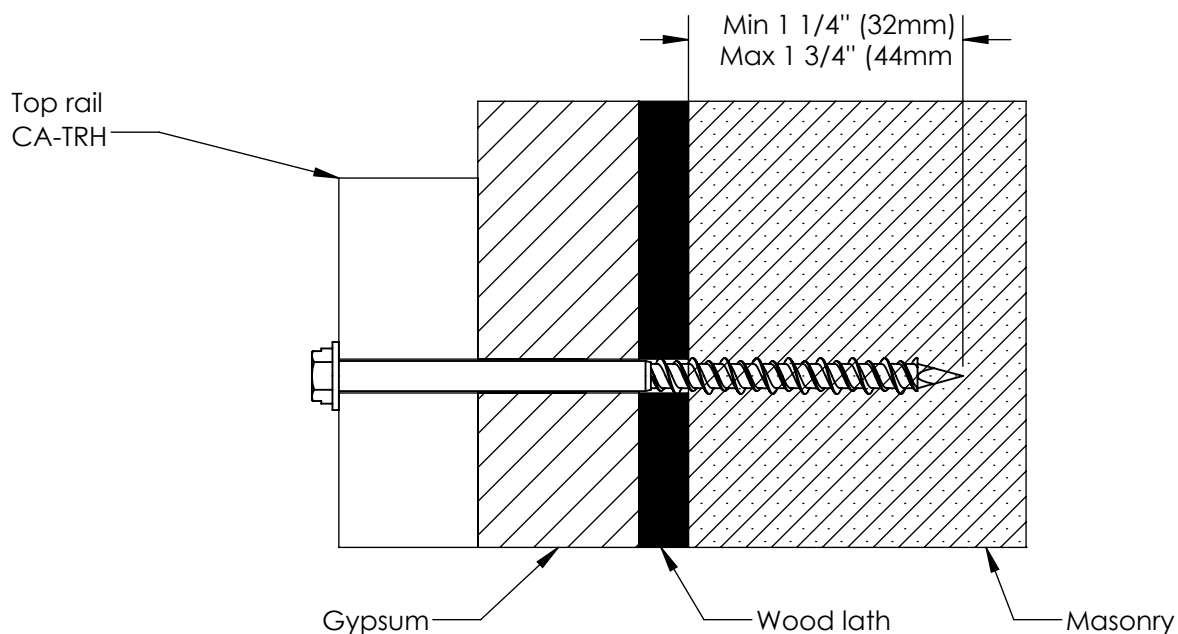
Masonry or concrete

5b- (Masonry) - Move the cabinet to have access to the hole marking.



5c- (Masonry) - Drill through the gypsum and masonry at the 6 locations marked in the previous step using a hammer drill and a 5/32" diameter masonry bit.

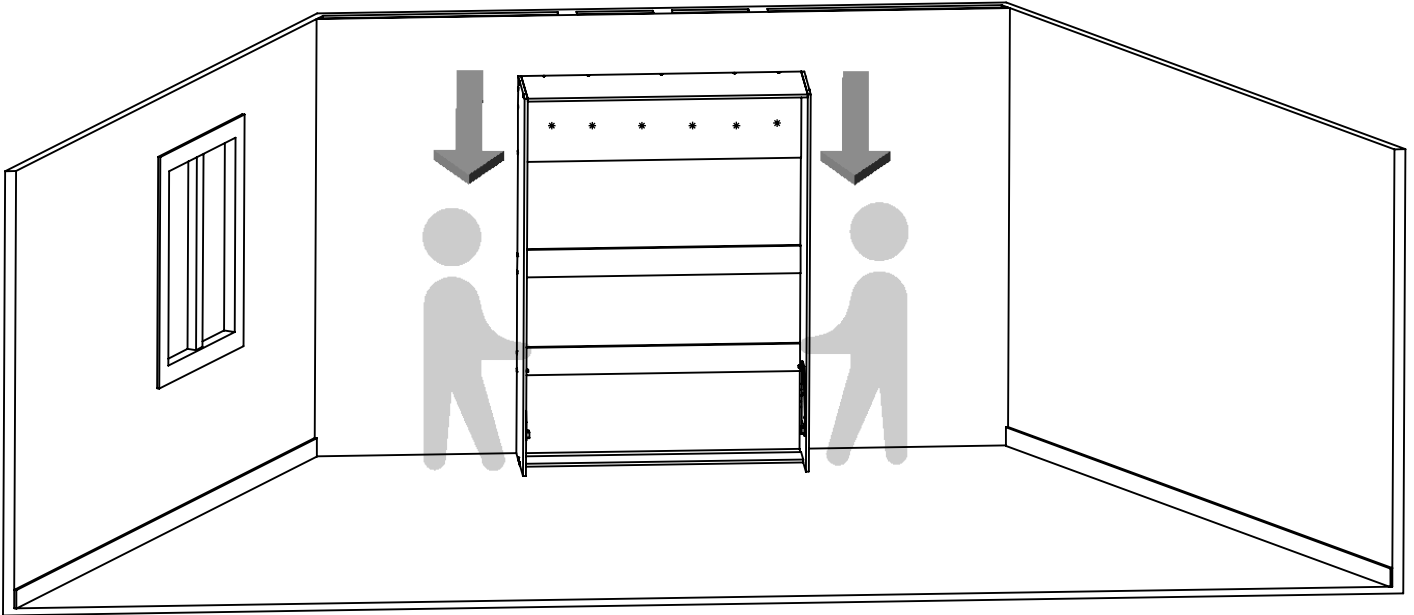
5d- (Masonry) - Replace the cabinet in its location. Screw the 3/16" x suitable length screws through the holes in the CA-TRH top crosspiece to the wall. Screw until the cabinet is against the wall. Use an adjustable tension drill to avoid overdriving. **Overdriving the crosspiece to the wall may damage the part and compromise its structural integrity. Breaking the crosspiece can cause the bed to suddenly tip over, resulting in serious injury or death.**



5- Fixing recommendations

Pull test

**Perform the next step to ensure that the bed cabinet is securely anchored to the wall.*



On either side of the cabinet, pull simultaneously at the sides of the cabinet in an attempt to pull it off the wall.

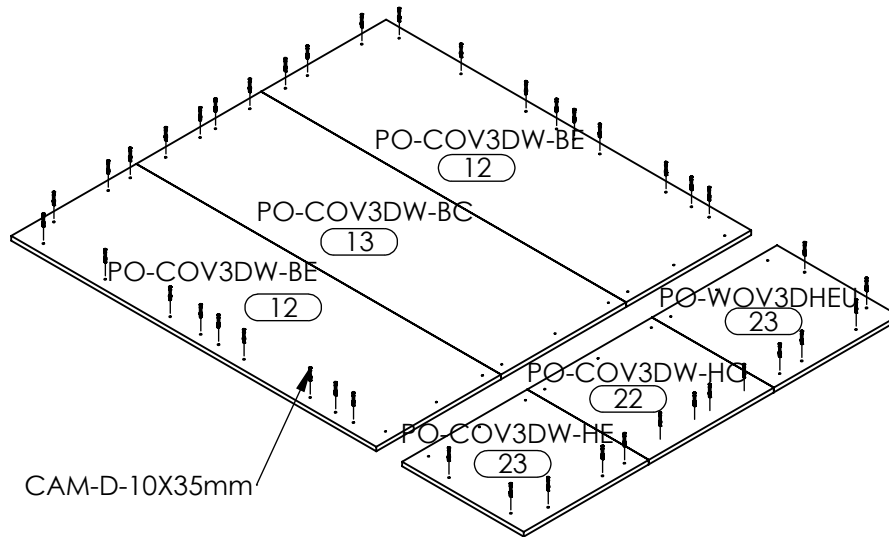
If the cabinet remains firmly fixed to the wall: Continue the installation.

If the cabinet comes off the wall: STOP INSTALLATION IMMEDIATELY. Please contact the *customer's service* at support@livingchy.com for the procedure to follow.

6- Assembling hardware on doors



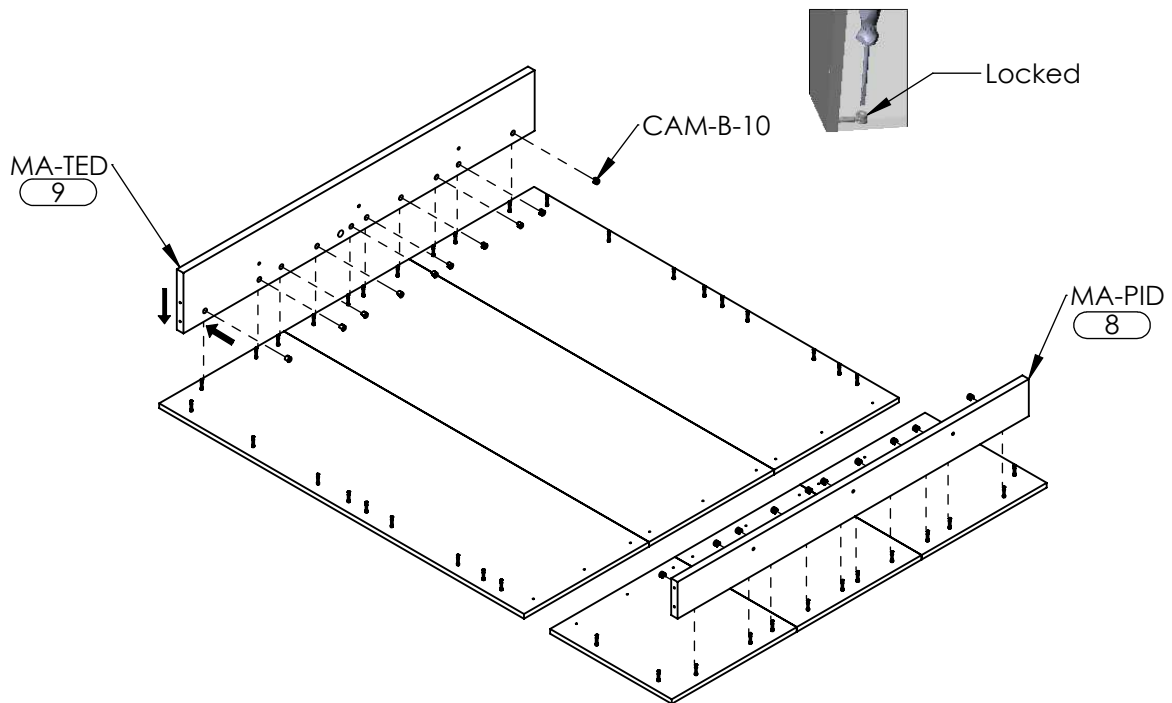
PART	CAM-D-10x35mm
QTY	42



7- Assembling head and foot board



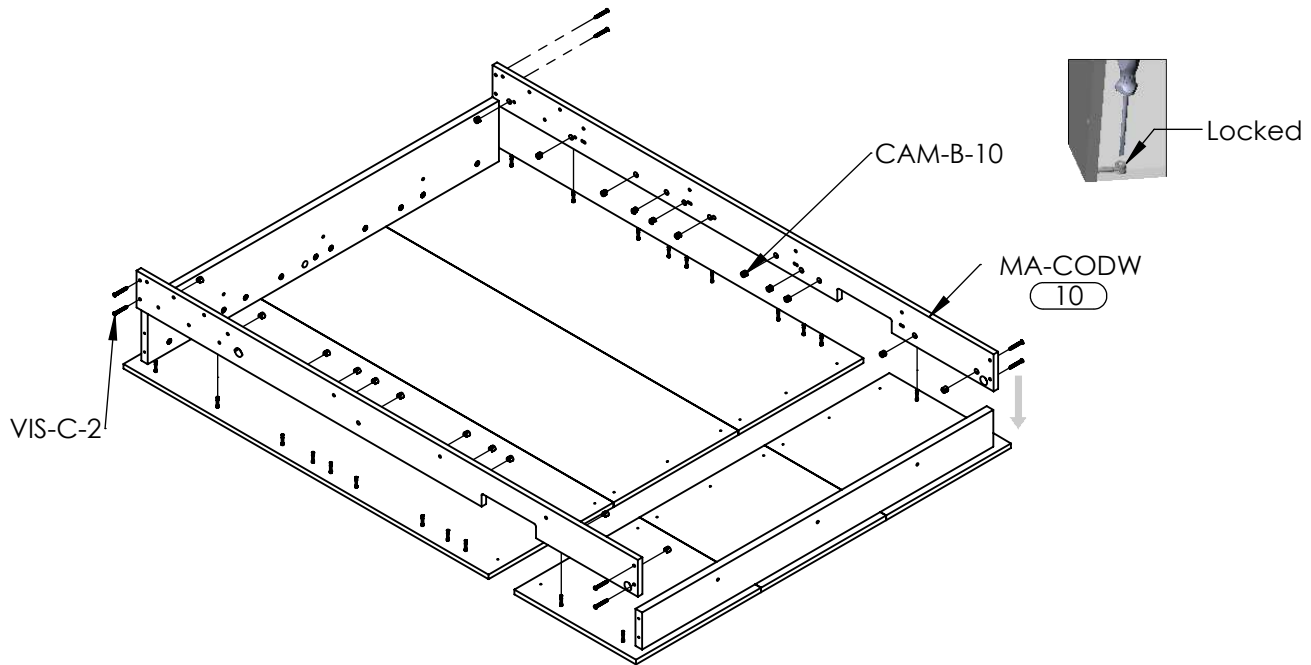
PART	CAM-B-10
QTY	20



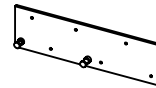
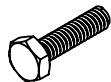
8- Assembling bed side



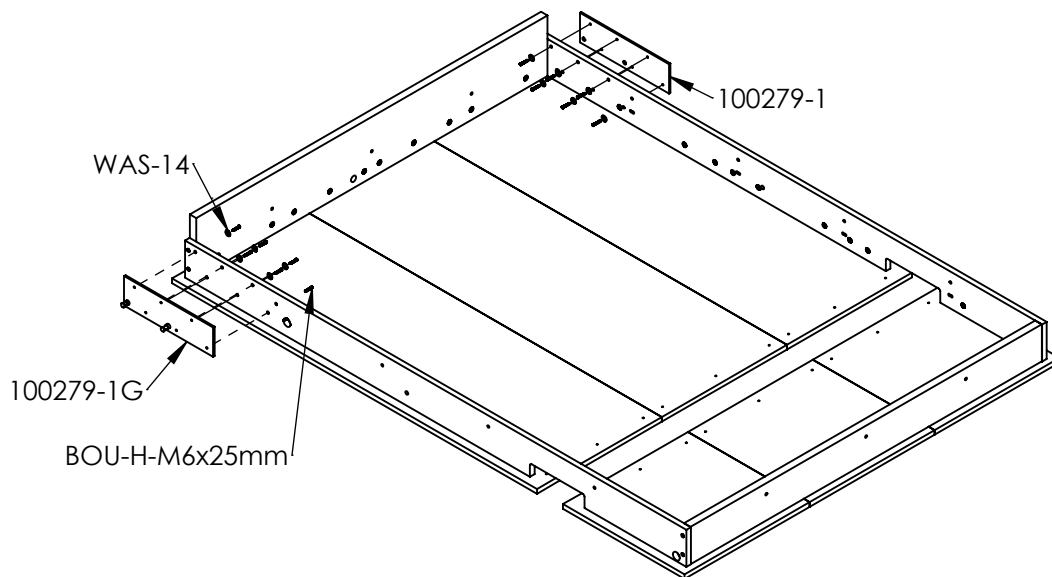
PART	CAM-B-10	VIS-C-2
QTY	22	8



9- Assembling mechanism plate



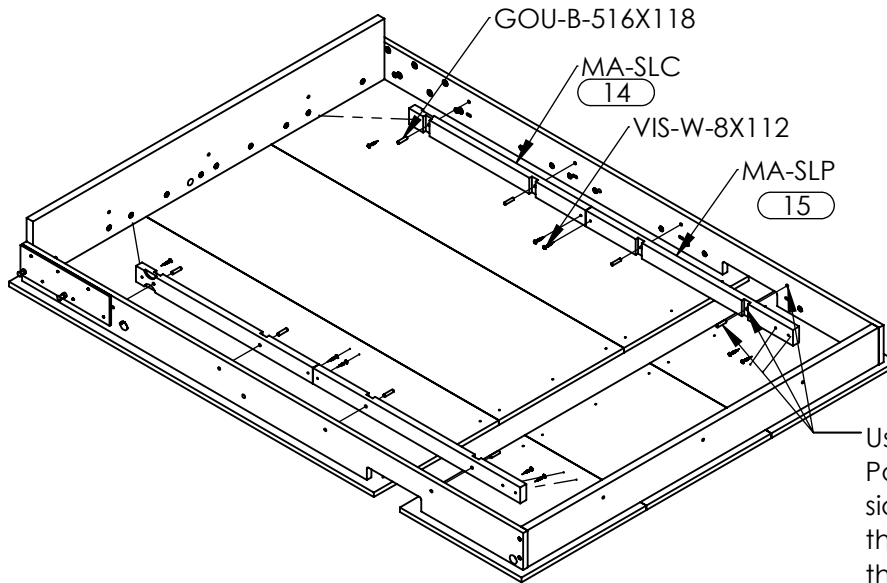
PART	BOU-H-M6X25mm	WAS-14	100279-1/G
QTY	12	12	1G/1D



10- Fixing supports on bed side



PART	VIS-W-8X112	GOU-B-516X118
QTY	10	8

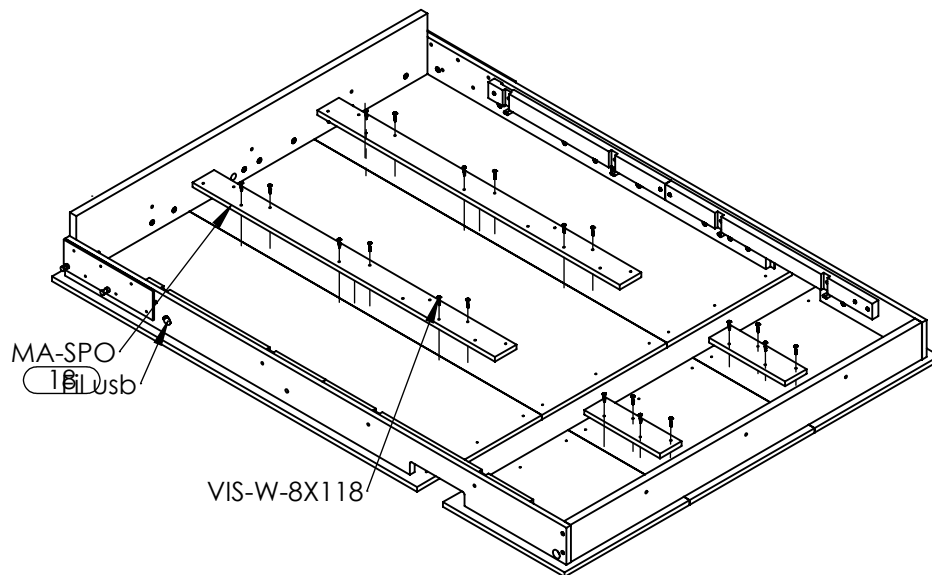


Use wooden studs to Position the support on the side of mattress. Remove the studs after have fixed the support with the screws.

11-Fixing doors supports



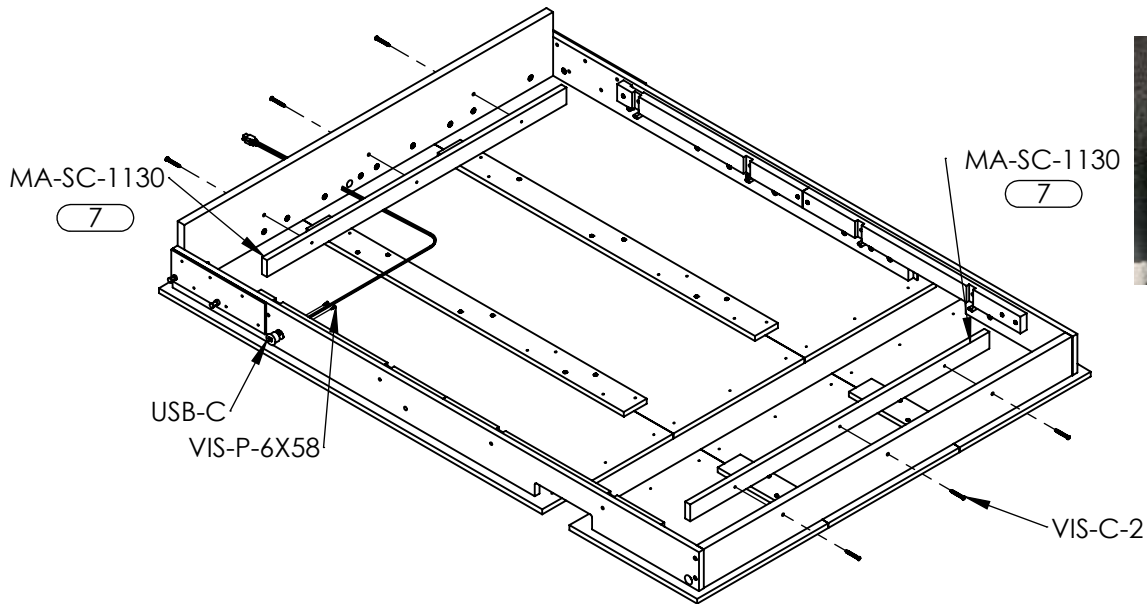
PART	VIS-W-8X118
QTY	20



12- Assembling supports



PART	VIS-C-2	USB-C	VIS-P-6x58
QTY	6	1	2

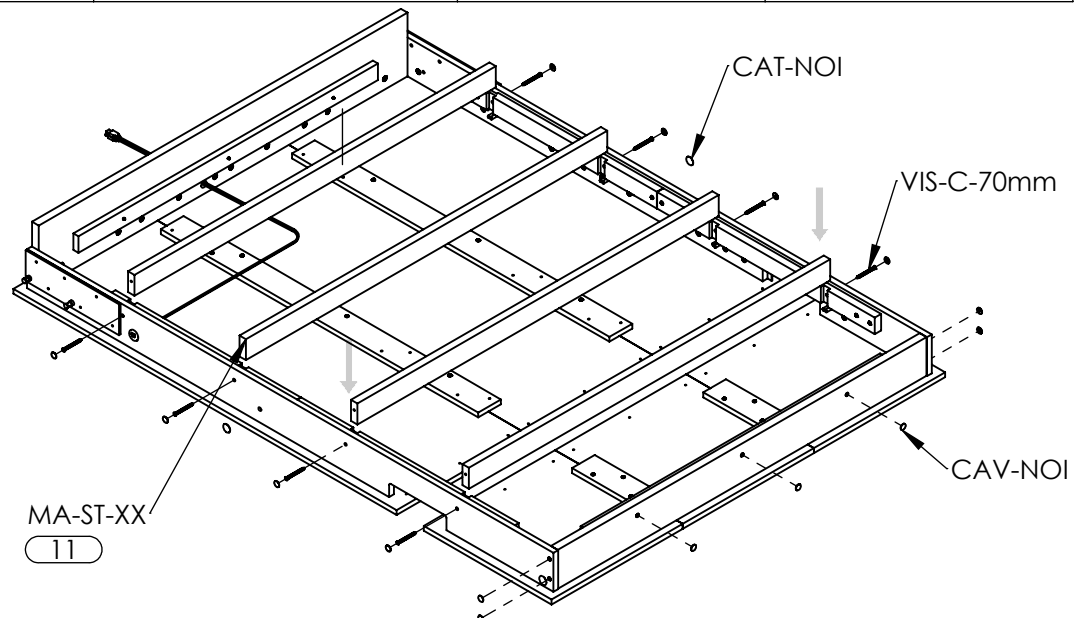


Locking USB-C

13- Assembling cross pieces



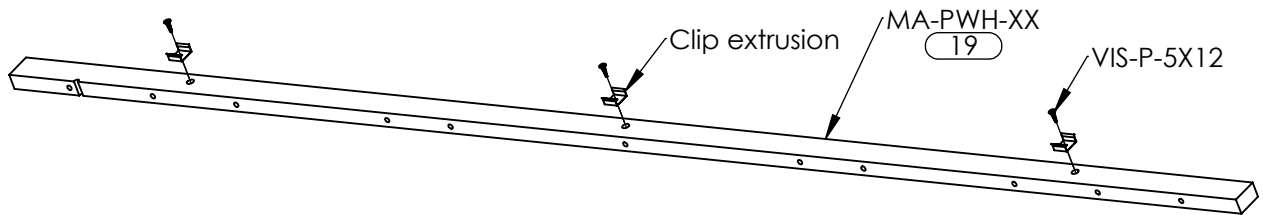
PART	VIS-C-70MM	CAV-NOI	CAT-NOI
QTY	8	15	2



14a- Pre-assembly top part of the handle



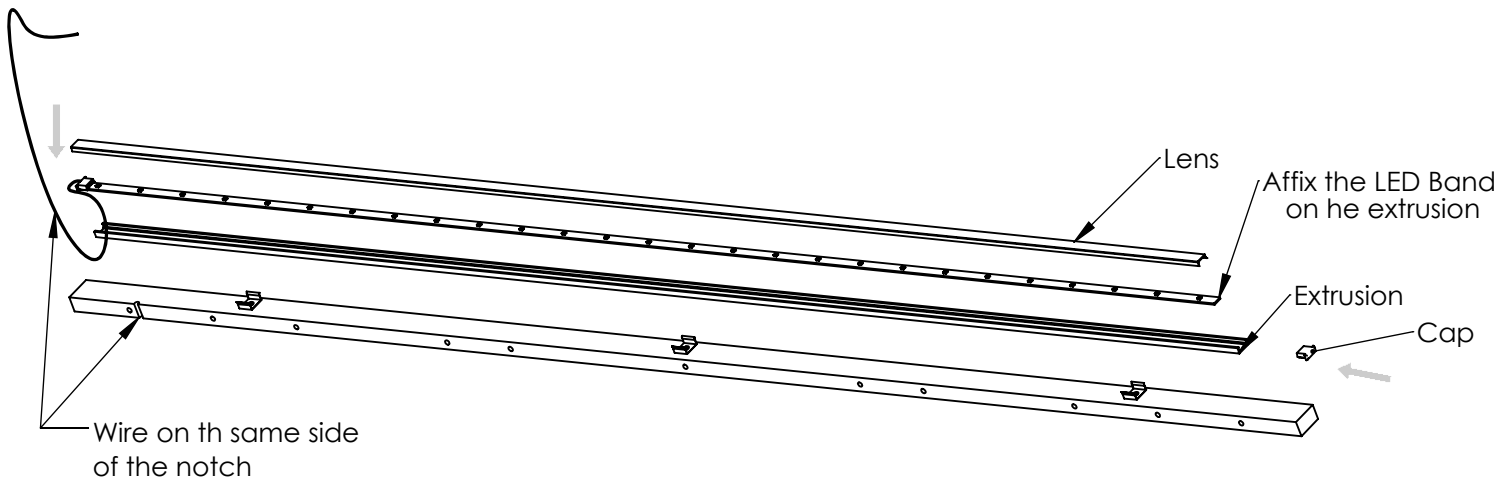
PART	VIS-P-5X12	CLIP
QTY	3	3



14b- Pre-assembly top part of the handle



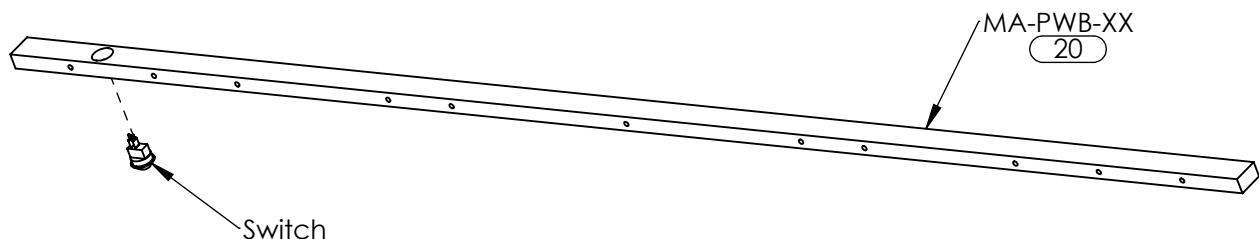
PART	LED Band	Extrusion	Lens	Cap
QTY	1	1	1	1



15-Installing the switch



PART	Switch
QTY	1

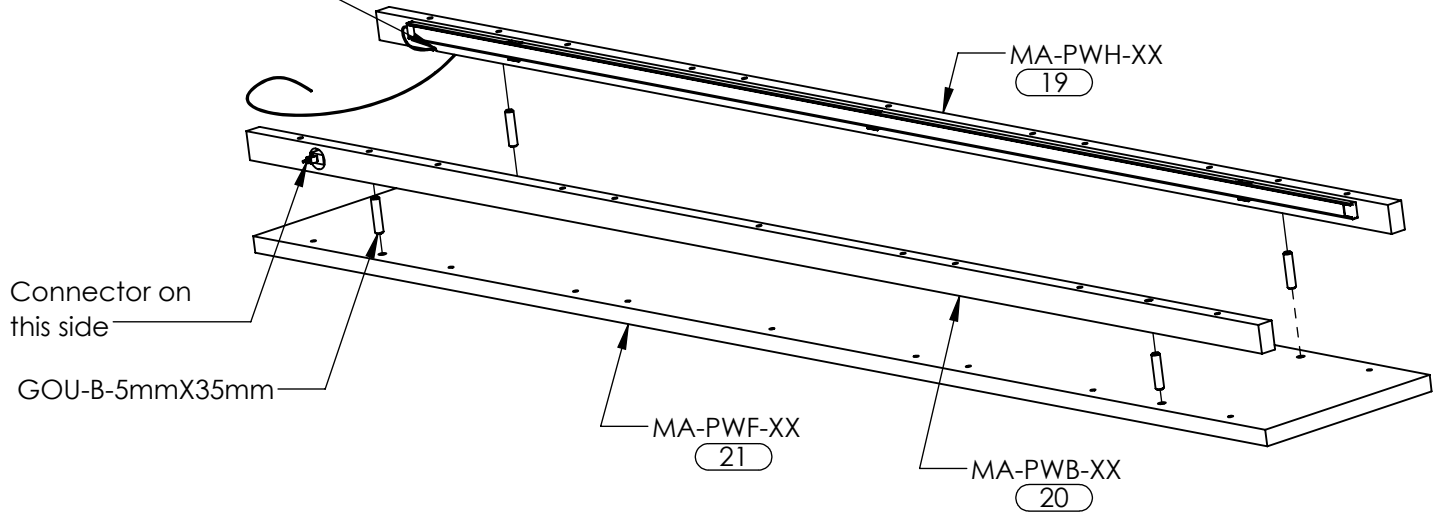


16- Pre-assembling the handle

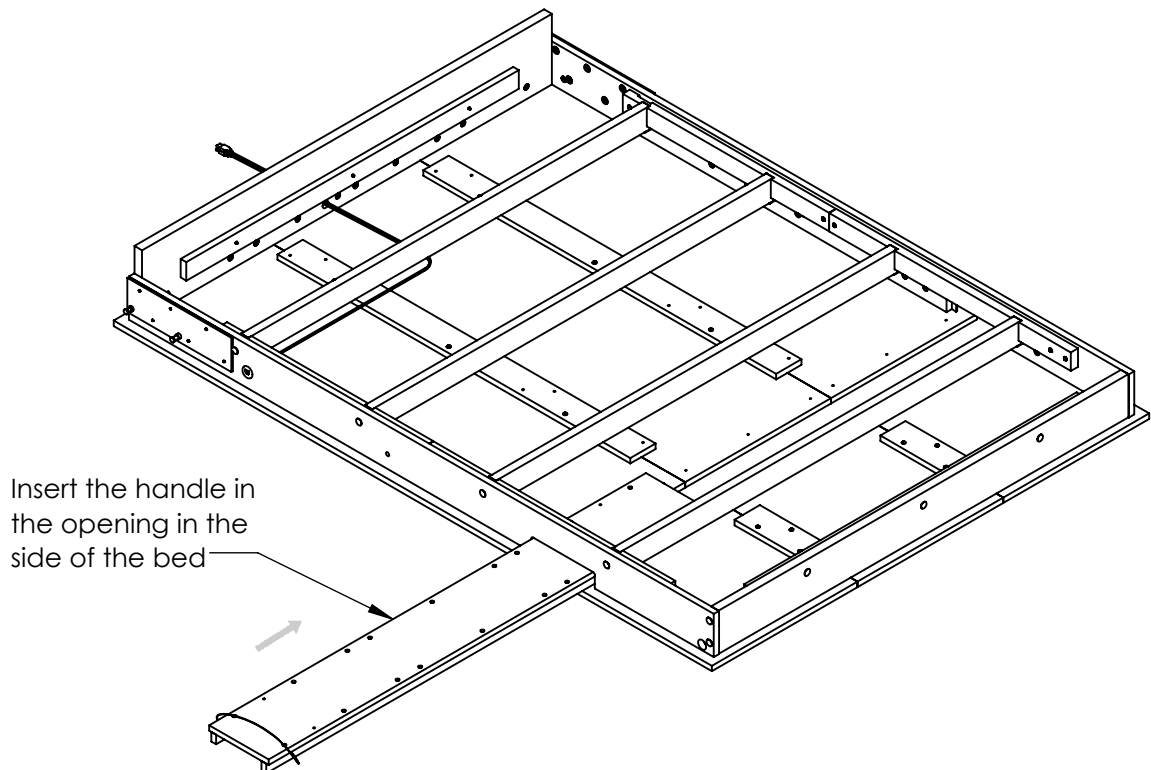


PART	GOU-B-516X118
QTY	4

The wire must pass in the notch during assembly



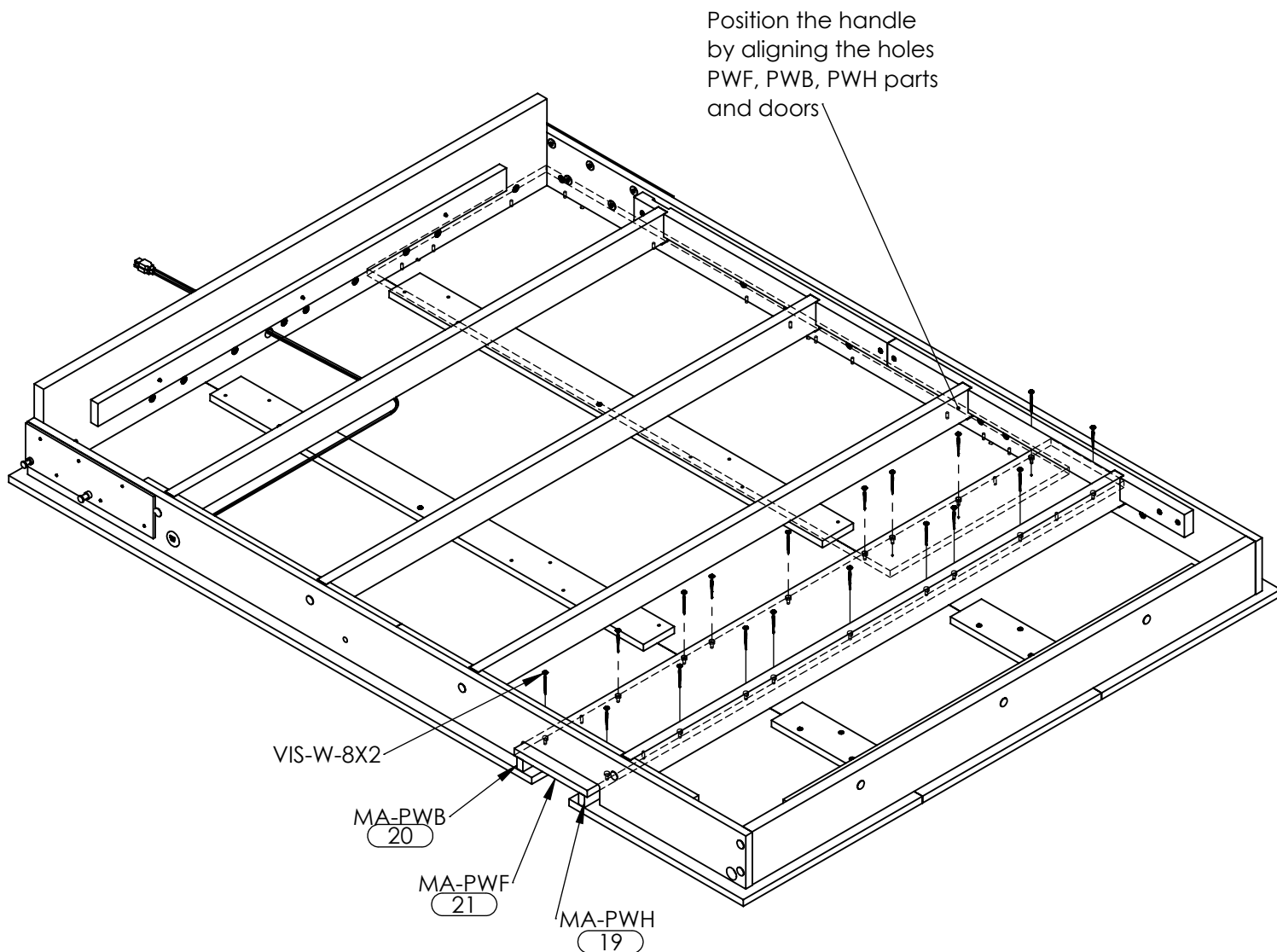
17- Assembling the handle



18- Assembling the handle



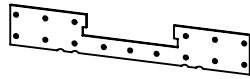
PART	VIS-W-8X2
QTY	18



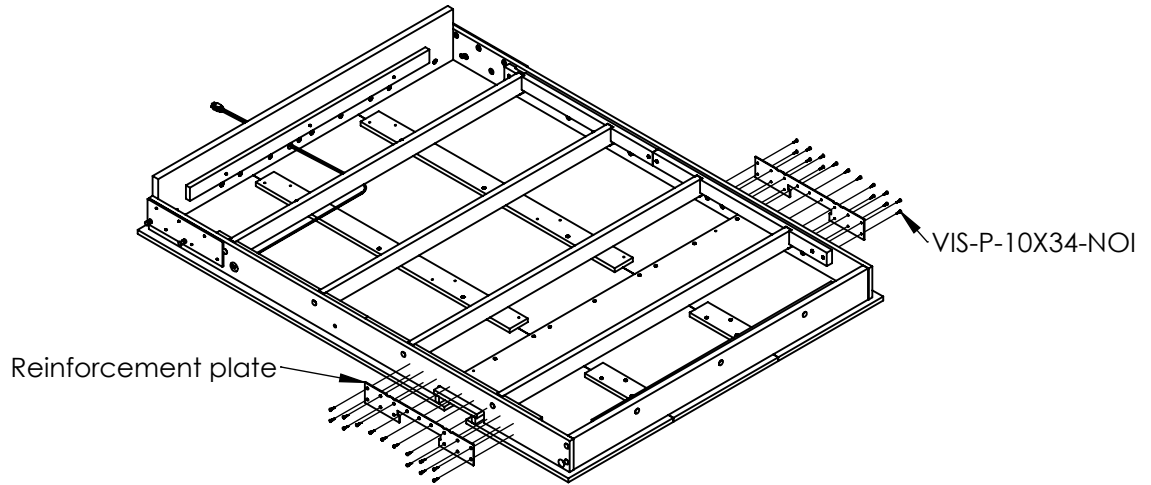
Actual size screw

*Using a longer screw would damage the doors

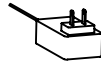
19- Installing the reinforcement plate



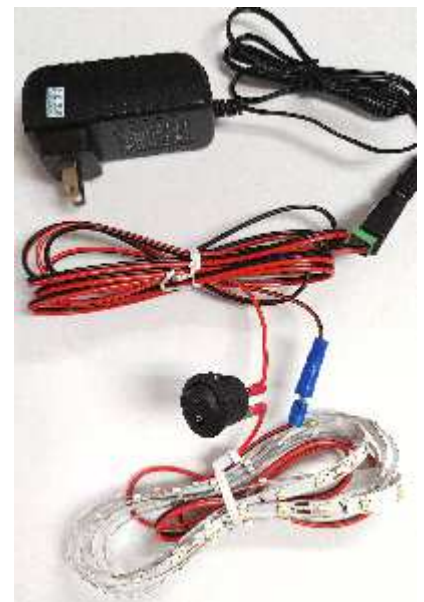
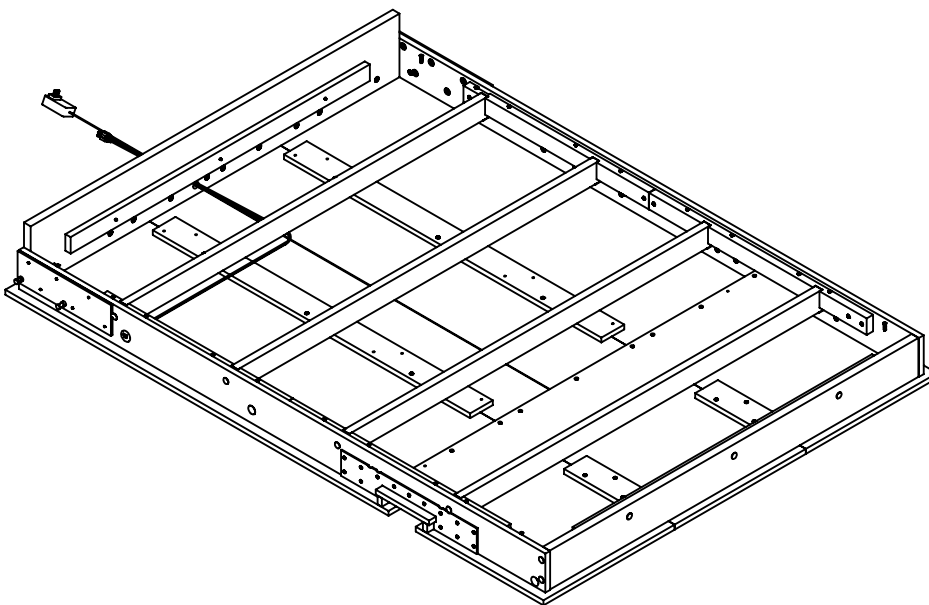
PART	Reinforcement plate	VIS-P-10X34-NOI
QTY	2	30



20- Connection

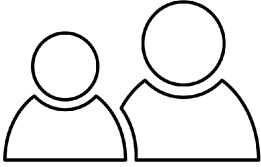


PART	Power supply
QTY	1

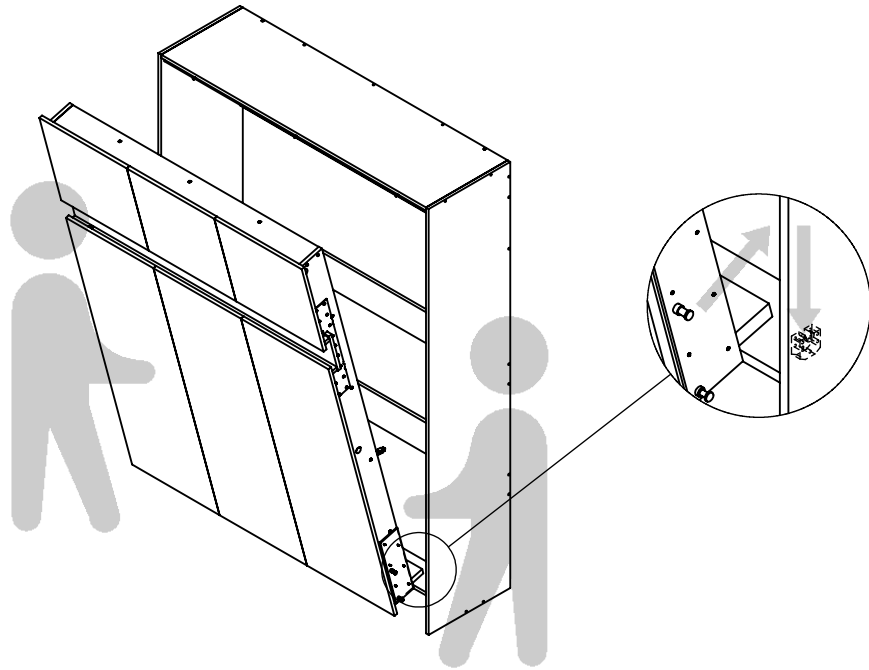


Standard connection

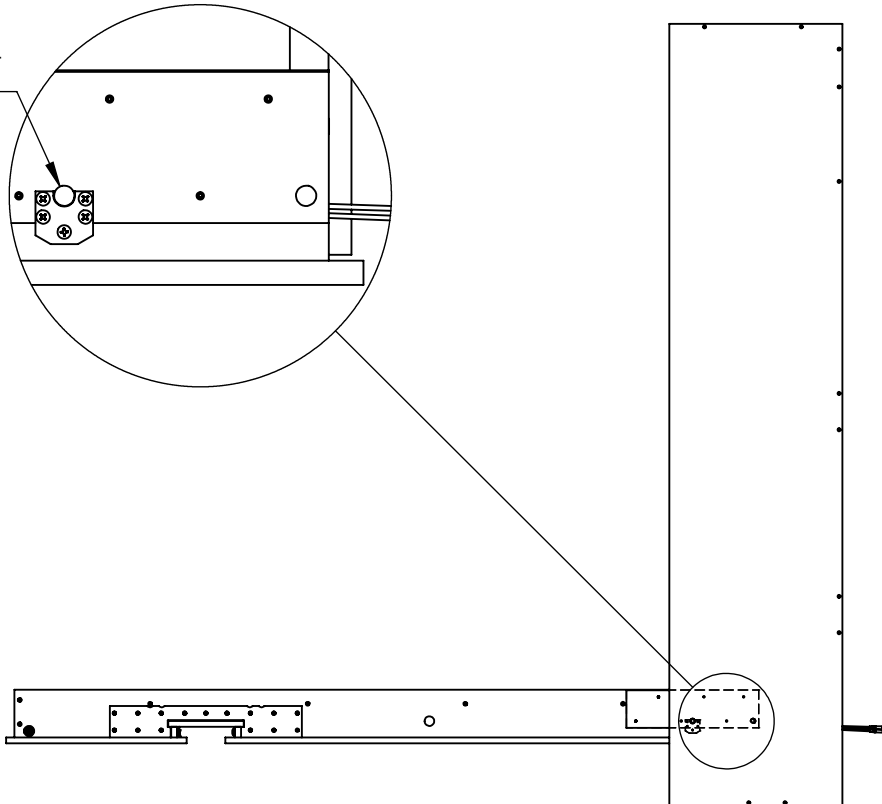
21- Installing bed base on cabinet



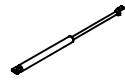
Warning
Heavy load



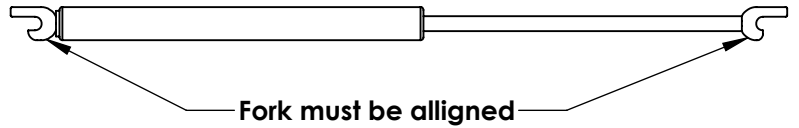
Engage this
bed base pivot
on both side



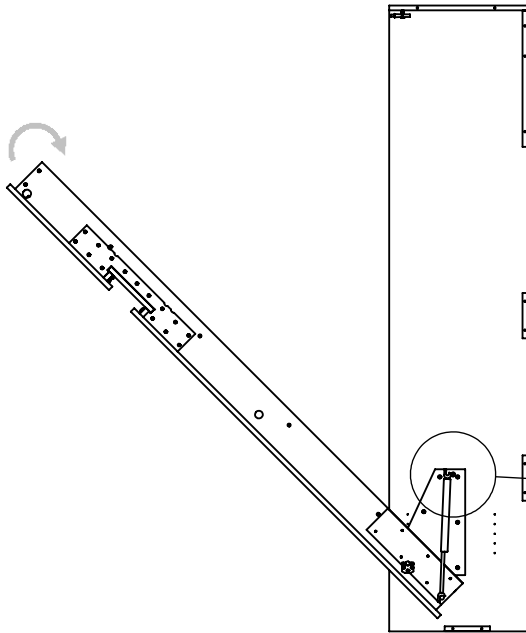
22- Installing and engaging pistons



PART	PIS-PXXX
QTY	2

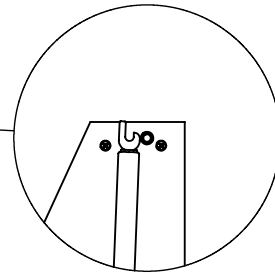


***Piston is in extension position and cannot be compressed by hand. Follow the next steps for installation.**



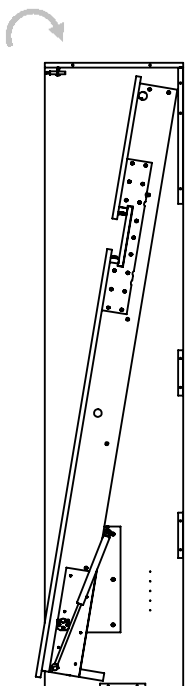
1

While the first person holds the bed half closed, the second person places the pistons on each side of the bed as shown below. In order for the pistons to stay in place, the bed must be closed enough.



***Be careful there is grease on pistons**

23- Installing and engaging pistons



2

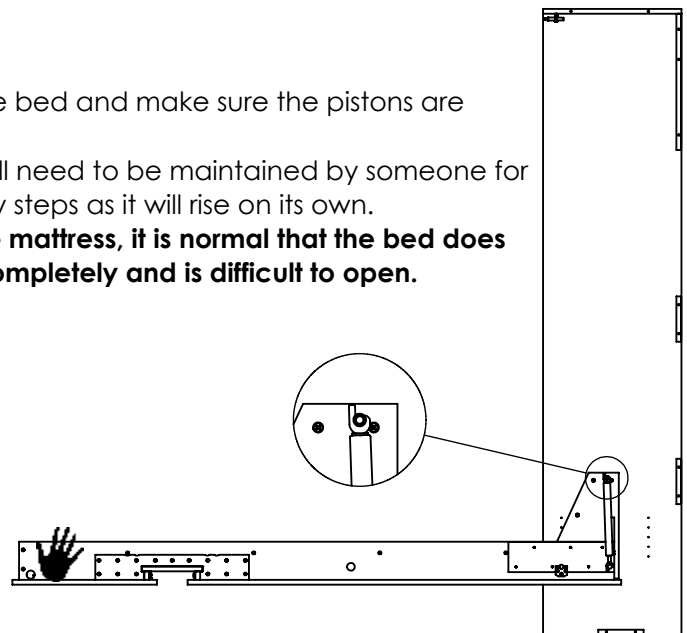
Close the bed completely to engage the pistons

3

Re-open the bed and make sure the pistons are engaged.

***The bed will need to be maintained by someone for the next few steps as it will rise on its own.**

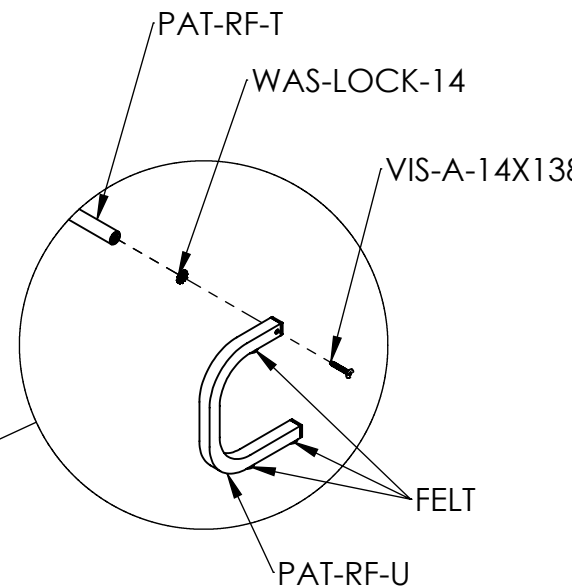
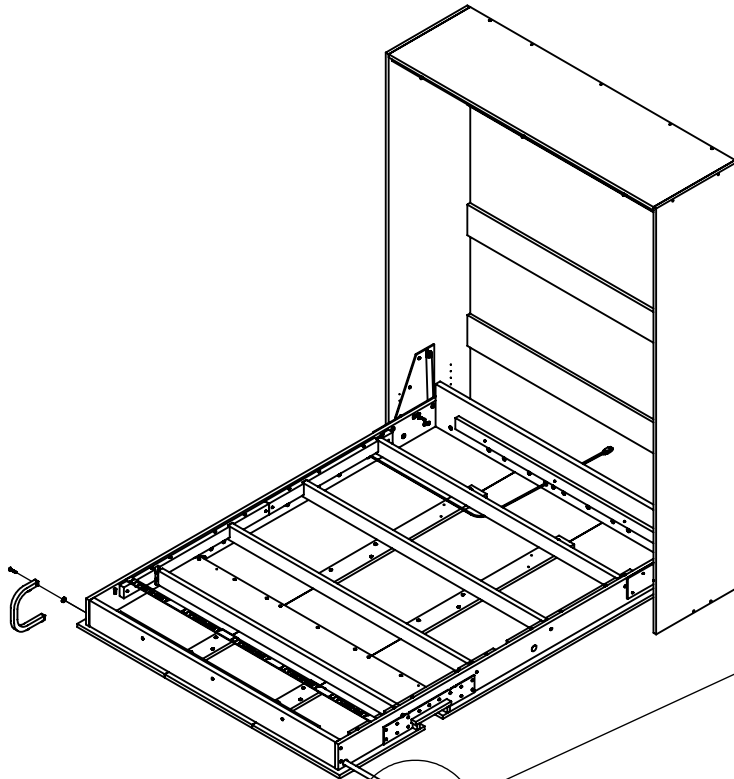
***Without the mattress, it is normal that the bed does not close completely and is difficult to open.**



24- Installing Reflex legs



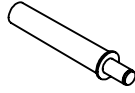
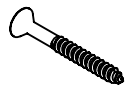
PART	Felt	PAT-RF-U	PAT-RF-T	WAS-LOCK-14	VIS-A-14X138
QTY	6	2	1	2	2



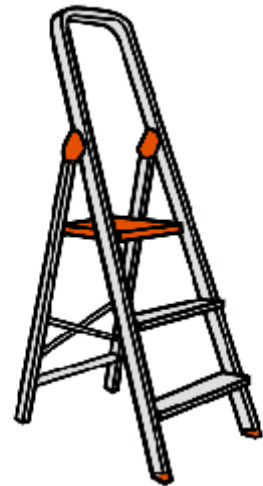
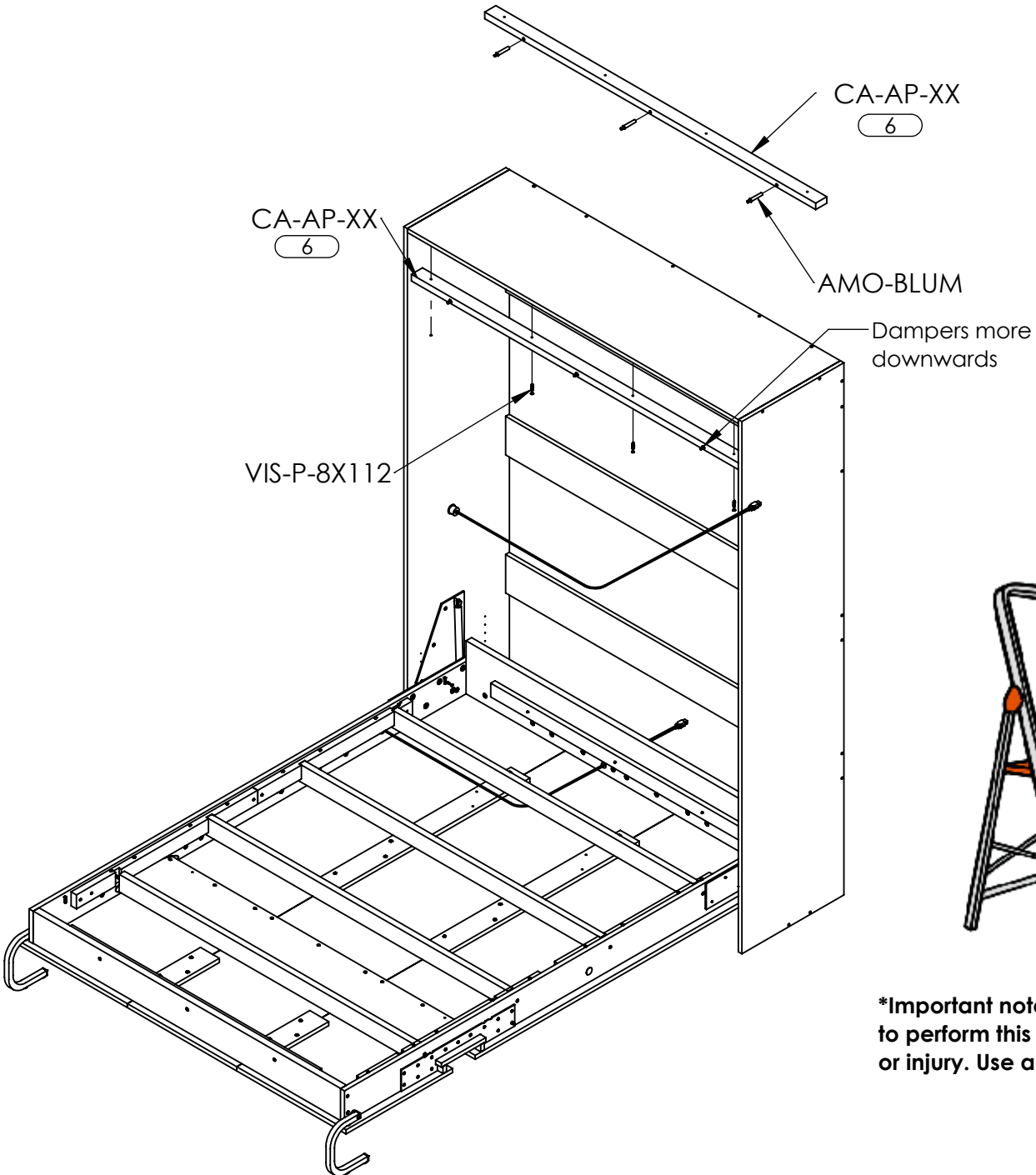
WARNING

- Use an Allen key to tighten the screws on the legs. The screws must be tightened by hand. Using tools to overtighten the screws could damage the parts and may affect the proper functioning of the leg.
- **ALWAYS** deploy the leg when opening the bed. **NEVER** climb on a bed with an unfolded leg as this could damage the bed, floor or cause injury.

25- Installing door stopper



PART	VIS-P-8X112	AMO-BLUM
QTY	4	3

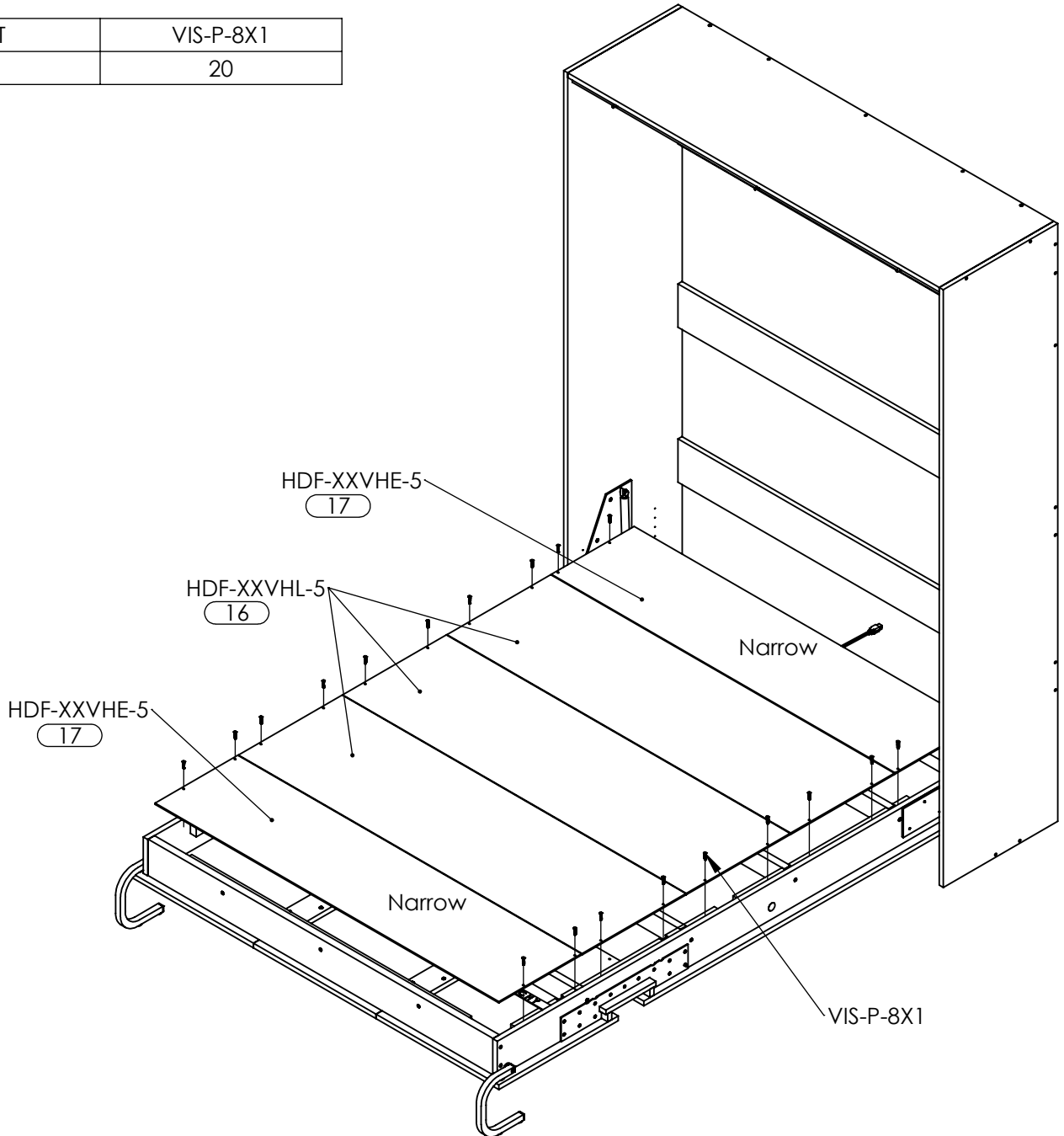


***Important note: Do not climb on the bed to perform this step at the risk of damage or injury. Use a step ladder.**

26- Installing HDF



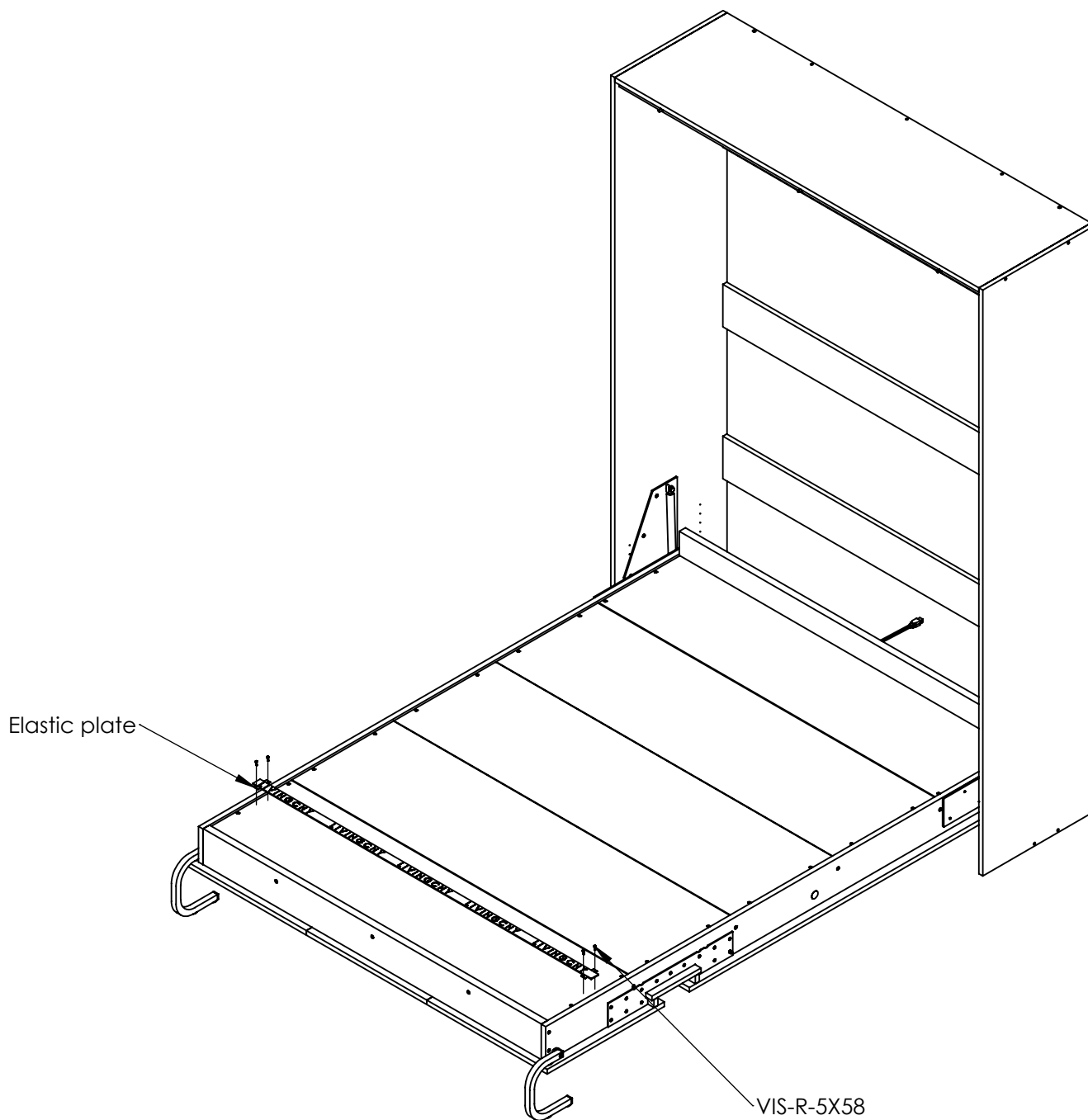
PART	VIS-P-8X1
QTY	20



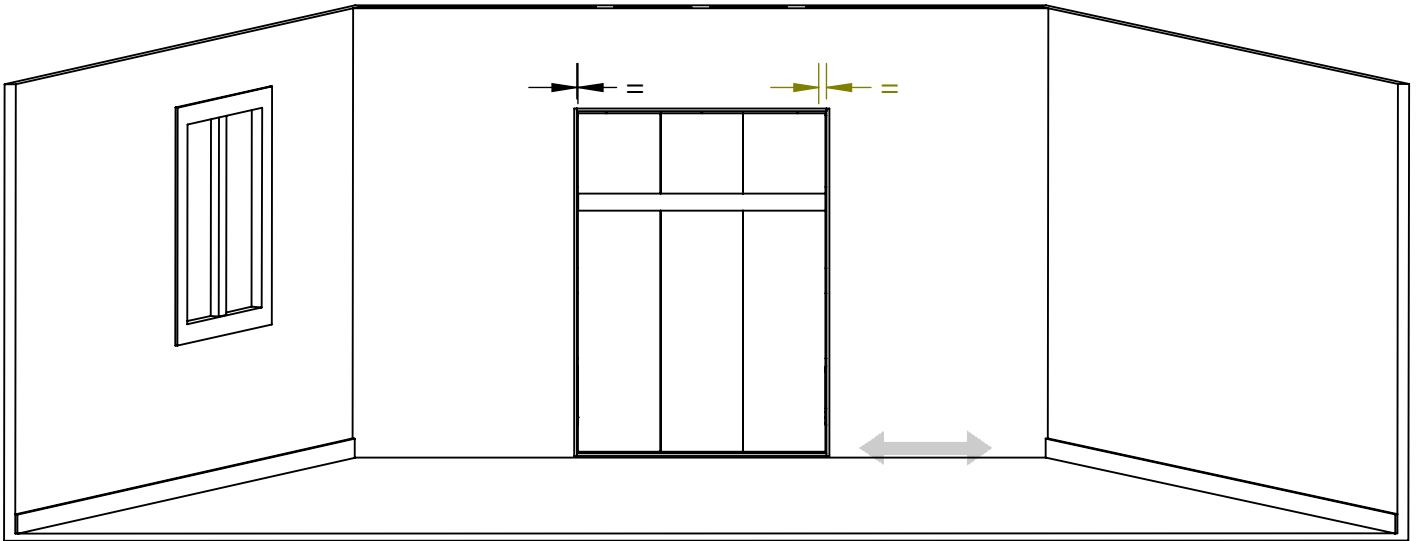
27- Installing the elastic



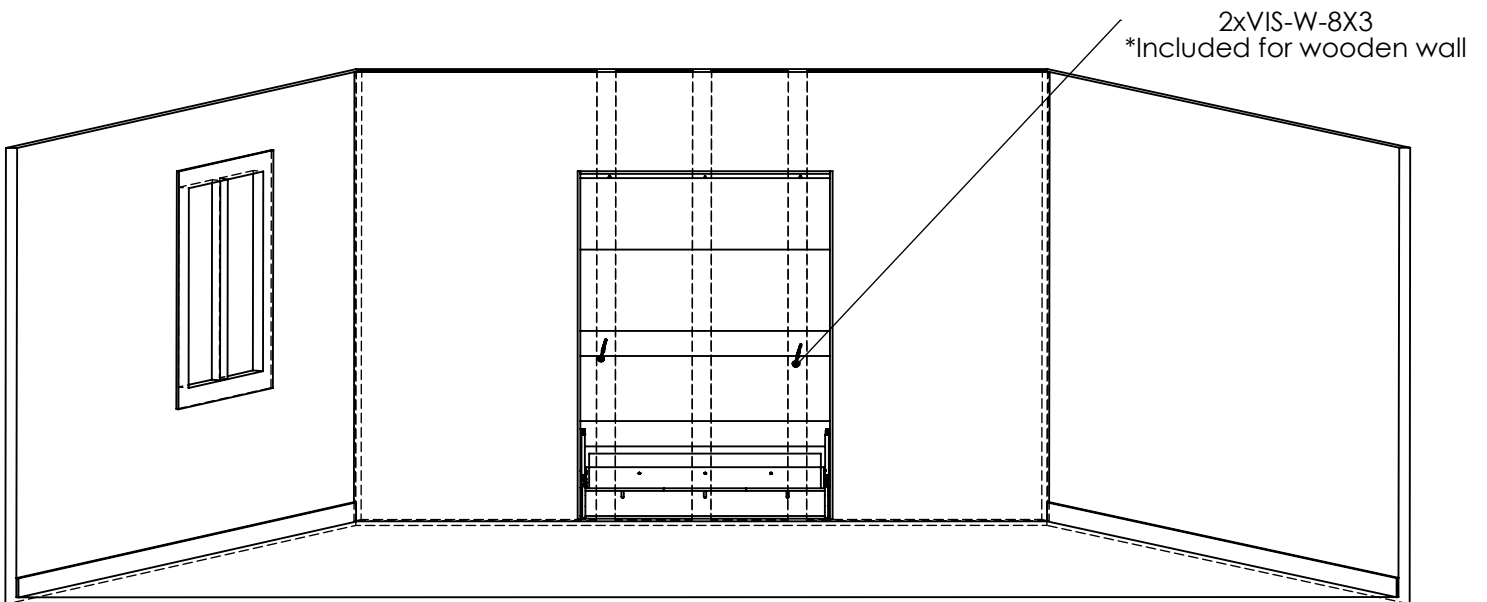
PART	ELASTIC	ELASTIC PLATE	VIS-R-5X58
QTY	1	2	4



28- Adjustment



With the bed closed, move the bottom of the cabinet sideways to perfectly align the doors with the cabinet. Ensure that the opening between the door and the cabinet is the same for each side.



With the bed open, secure the center of the cabinet with a minimum of two screws in the center crosspiece of the cabinet. Make sure it is secured in the wall studs. Use the proper anchor for the type of wall.



WARNING

RISK OF DEATH OR SERIOUS INJURY

- NEVER close the bed when someone is on the mattress to avoid the risk of suffocation.
- NEVER jump on the bed or allow a child to play on the bed alone.
- Stop using the bed if the mechanism or bed frame are damaged. Do not attempt to repair it yourself; professional instructions are required. Using a damaged bed can cause problems with opening, closing or unexpected collapse of the bed, which can result in serious injury or death.



WARNING

TO AVOID THE RISK OF FIRE

- NEVER leave an electric blanket or any other heat source inside the closed bed.



WARNING

RISK OF INJURY

- NEVER attach any object to the front of the bed, such as frames, shelves, hooks, clothing or any other object which could damage the bed or cause injury.
- Do not leave anything on the bed that could prevent it from closing properly (pillows, cushions, stuffed toys, etc.) Failure to do so could result in damage to the bed, parts falling out or the bed opening unexpectedly and causing serious injury.



WARNING

- **ALWAYS** extend the leg when opening the bed. NEVER climb onto a bed with the leg not extended, as this may cause damage to the bed, floor or injury to yourself.
- **ALWAYS** rotate the leg inward before closing the bed to avoid damage to the leg.

Disassembly Instructions



WARNING

RISK OF DEATH OR SERIOUS INJURY: If the wall mounting screws are removed before the pistons and bed base are removed, the bed box may suddenly tip over resulting in serious injury or death

- Only a professional or qualified person should disassemble a wall bed.
- If the wall bed is disassembled incorrectly, it may come off the wall and tip over suddenly.

Please contact customer's service at support@livingchy.com for instructions.

